

8.2 T807/808 Power Supply PCB

This section contains the following information.

IPN	Section	Page
220-01183-03	T807 Parts List	8.2.3
	T807 Mechanical & Miscellaneous Parts	8.2.6
	T807 Mechanical Assembly Exploded View	8.2.7
	T808 Parts List	8.2.9
	T808 Mechanical & Miscellaneous Parts	8.2.12
	T808 Mechanical Assembly Exploded View	8.2.13
	T807/808 Grid Reference Index	8.2.15
	T807/808 PCB Layout - Bottom Side	8.2.17
	T807/808 PCB Layout - Top Side	8.2.18
	T807/808 Circuit Diagram	8.2.19
220-01268-00	T807/808 Noise Modulator Parts List	8.2.21
	T807/808 Noise Modulator PCB Layout	8.2.22
	T807/808 Noise Modulator Circuit Diagram	8.2.23
220-01183-05	T807 Parts List	8.2.25
	T807 Mechanical & Miscellaneous Parts	8.2.28
	T807 Mechanical Assembly Exploded View	8.2.29
	T808 Parts List	8.2.31
	T808 Mechanical & Miscellaneous Parts	8.2.34
	T808 Mechanical Assembly Exploded View	8.2.35
	T807/808 Grid Reference Index	8.2.37
	T807/808 PCB Layout - Bottom Side	8.2.39
	T807/808 PCB Layout - Top Side	8.2.40
	T807/808 Circuit Diagram	8.2.41
220-01183-07	T807 Parts List	8.2.43
	T807 Mechanical & Miscellaneous Parts	8.2.46
	T807 Mechanical Assembly Exploded View	8.2.47
	T808 Parts List	8.2.49
	T808 Mechanical & Miscellaneous Parts	8.2.52
	T808 Mechanical Assembly Exploded View	8.2.53
	T807/808 Grid Reference Index	8.2.55
	T807/808 PCB Layout - Bottom Side	8.2.57
	T807/808 PCB Layout - Top Side	8.2.58
	T807/808 Circuit Diagram	8.2.59

T807 Parts List (IPN 220-01183-03)

How To Use This Parts List

The components listed in this parts list are divided into two main types: those with a circuit reference (e.g. C2, D1, R121, etc) and those without (miscellaneous and mechanical). Static sensitive devices are prefixed with (S).

Those with a circuit reference are grouped by component type in numerical order. Each component entry comprises three or four columns: the circuit reference, variant number (if applicable), IPN and description. A number in the variant column indicates that this component is fitted only to that variant.

The miscellaneous and mechanical section lists the parts in IPN order and where possible the legend indicates their position on the exploded view.

Parts List Amendments

R13A Changed from 10E to 68E (94/06-301).
 R93 Changed from 1K to 910E (94/06-301).
 R1 & R85 Changed from 030-08100-30 to 030-08100-31 due to incorrect voltage rating of the original (93/07-348).
 R1 & R85 10M added to underside of PCB to meet BABT high voltage requirements (93/04-202).
 D43 Changed from MBR20100 (001-00011-44) to 30CPQ90 to meet BABT high voltage requirements (93/04-202).
 FC1 & FC2 (Fuseholders) changed from 6.3mm (340-00010-06) to 5mm, due to being the wrong size (93/04-181).
 C23 Changed from 020-08470-07 to -09 due to high profile of the original (92/10-742).

Important mechanical assembly changes to this issue are as follows:

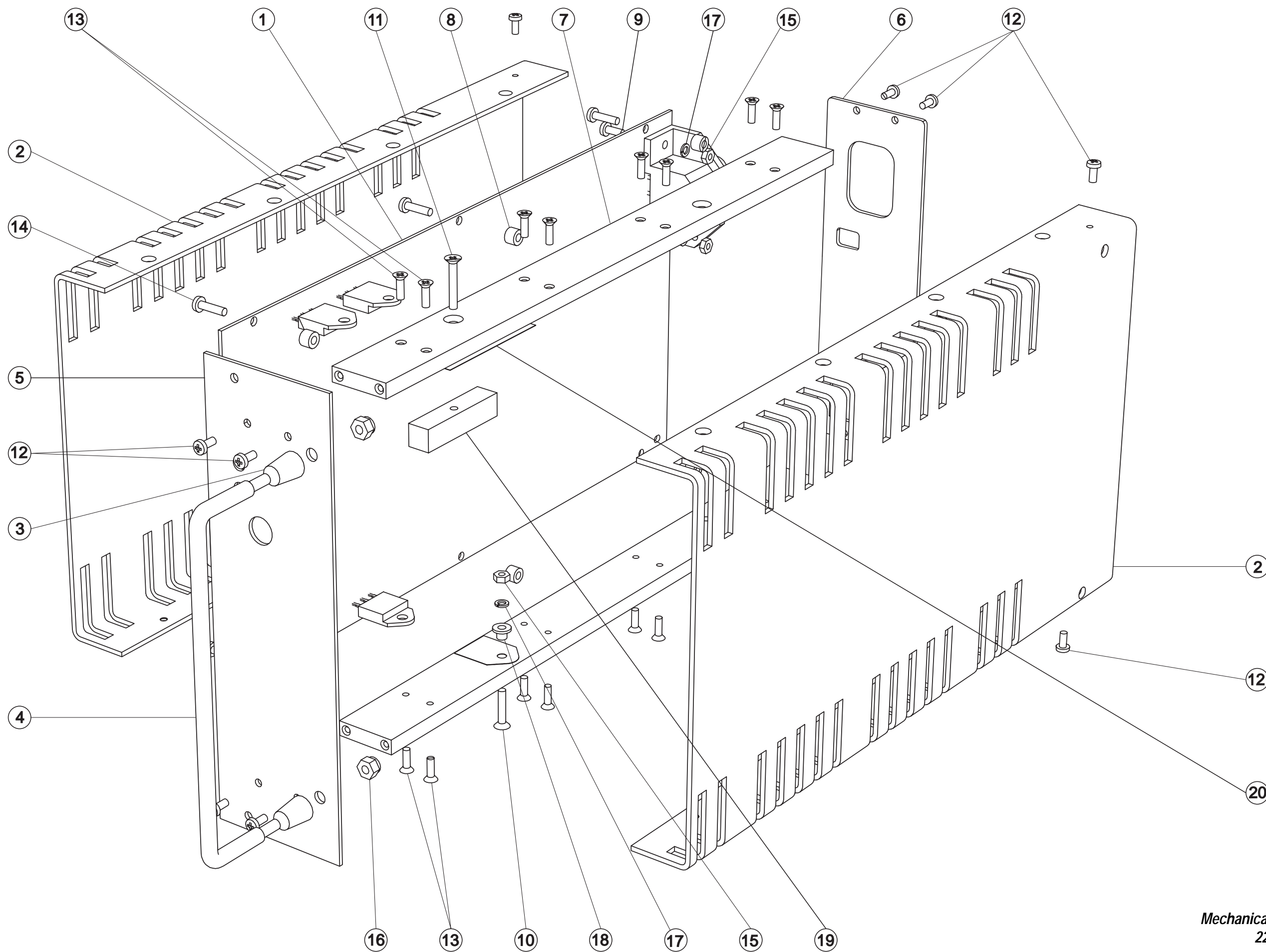
Sidecover Changed from 303-23128-00 to -01. Width increased by 0.5mm to pass BABT high voltage test (94/05-243).
 Spacer Changed from 319-30030-00 to -01. Length increased by 0.5mm to pass BABT high voltage test (94/05-243).
 Screw 4-40 1/4" Changed from 349-00020-06 to -07 (5/16") due to obsolete component (93/08-410).
 Gasket 362-00010-07 replaced by insulator 54*30 (362-01024-00) to meet BABT high voltage requirements (93/04-202).

Ref	Var	IPN	Description	Ref	Var	IPN	Description
C1		010-04220-09	CAP CER 2N2 10% 250VAC APPROVED	C60		017-15470-01	CAP CER SURFACE BARRIER 47N 20% 50V
C2		010-04220-09	CAP CER 2N2 10% 250VAC APPROVED	C61		025-08100-03	CAP 10M 35V 20% TANT 5MM L/S
C3		022-06470-04	CAP MYLAR 470N 10% 250VAC	C62		019-05470-00	CAP MONOLITHIC CER 47N 10% 50V X7R
C4		022-06470-04	CAP MYLAR 470N 10% 250VAC	C63		022-57100-02	CAP MYLAR AI 1M 20% 50V POTTED
C5		012-04220-06	CAP CER 2N2 3-PIN SUPPR FLTR	C65		020-09470-07	CAP 470M 16V 20% ELEC VERT 8*20 3.5MM L/S LO-ESR
C6		012-04220-06	CAP CER 2N2 3-PIN SUPPR FLTR	C66		024-14470-01	CAP METAL POLYPR RADL 4N7 10% 400VAC
*C9		021-09390-00	CAP 390UF ELECT 200V 105D 25DIA X40 10MMLS	C67		024-14470-01	CAP METAL POLYPR RADL 4N7 10% 400VAC
*C10		021-09390-00	CAP 390UF ELECT 200V 105D 25DIA X40 10MMLS	*C68		020-19220-02	CAP ELECT RAD 2200M 16V 12.5X30MM LO ESR
*C11		021-09390-00	CAP 390UF ELECT 200V 105D 25DIA X40 10MMLS	*C69		020-19220-02	CAP ELECT RAD 2200M 16V 12.5X30MM LO ESR
*C12		021-09390-00	CAP 390UF ELECT 200V 105D 25DIA X40 10MMLS	*C70		020-19220-02	CAP ELECT RAD 2200M 16V 12.5X30MM LO ESR
*C13		024-06680-08	CAP POLYPR AXIAL 680N 20% 250VDC	*C71		020-19220-02	CAP ELECT RAD 2200M 16V 12.5X30MM LO ESR
*C14		024-06680-08	CAP POLYPR AXIAL 680N 20% 250VDC	*C72		020-19220-02	CAP ELECT RAD 2200M 16V 12.5X30MM LO ESR
*C15		010-03220-03	CAP CER 220P 10% T/C B 6KV	*C73		020-19220-02	CAP ELECT RAD 2200M 16V 12.5X30MM LO ESR
C16		025-07100-01	CAP TANT BEAD 1M 35V	C74		010-04220-09	CAP CER 2N2 10% 250VAC APPROVED
C17		011-53470-02	CAP CER AI 470P 10% T/C B 63V	C75		010-04220-09	CAP CER 2N2 10% 250VAC APPROVED
C20		010-04100-04	CAP CER 1N 10% T/C B 400V	C78		020-09820-01	CAP 820M 16V ELECT 10X25MM
C21		022-55470-10	CAP MYLAR AI 47N 5% 63V POTTED	C79		019-05470-00	CAP MONOLITHIC CER 47N 10% 50V X7R
C22		022-55470-10	CAP MYLAR AI 47N 5% 63V POTTED	C80		010-04100-04	CAP CER 1N 10% T/C B 400V
C23		020-08470-09	CAP ELECT RADL 47M 16V 10X18MM HI TEMP	C81		010-04100-04	CAP CER 1N 10% T/C B 400V
C24		020-07100-04	CAP ELECT RADL 1M 63V 8X12MM HI TEMP	C82		010-04100-04	CAP CER 1N 10% T/C B 400V
C25		025-08100-03	CAP 10M 35V 20% TANT 5MM L/S	C84		019-05470-00	CAP MONOLITHIC CER 47N 10% 50V X7R
C26		011-54100-01	CAP CER AI 1N 10% T/C B 63V	C85		011-52330-01	CAP CER AI 33P 5% N150 50/63V
C27		011-54100-01	CAP CER AI 1N 10% T/C B 63V	C86		022-54100-10	CAP MYLAR AI 1N 5% 63V POTTED
C31		011-54100-01	CAP CER AI 1N 10% T/C B 63V	C87		022-54220-10	CAP MYLAR AI 2N2 5% 63V POTTED
C32		011-54100-01	CAP CER AI 1N 10% T/C B 63V	C88		022-55470-10	CAP MYLAR AI 47N 5% 63V POTTED
C33		019-05470-00	CAP MONOLITHIC CER 47N 10% 50V X7R	C89		011-52220-01	CAP CER AI 22P 5% N150 50/63V
C34		025-08100-03	CAP 10M 35V 20% TANT 5MM L/S	C90		010-04100-04	CAP CER 1N 10% T/C B 400V
C37		020-19220-04	CAP 2200M ELEC 35V 16X35 L ESR	C91		010-04100-04	CAP CER 1N 10% T/C B 400V
C38		019-05470-00	CAP MONOLITHIC CER 47N 10% 50V X7R	C95		011-54100-01	CAP CER AI 1N 10% T/C B 63V
C39		019-05470-00	CAP MONOLITHIC CER 47N 10% 50V X7R	D1		001-00012-30	(S) DIODE 6A6 MR 756 BY214-600 6A/600V
C42		011-54100-01	CAP CER AI 1N 10% T/C B 63V	D2		001-00012-30	(S) DIODE 6A6 MR 756 BY214-600 6A/600V
C43		011-54100-01	CAP CER AI 1N 10% T/C B 63V	D3		001-00012-30	(S) DIODE 6A6 MR 756 BY214-600 6A/600V
C44		025-07100-01	CAP TANT BEAD 1M 35V	D4		001-00012-30	(S) DIODE 6A6 MR 756 BY214-600 6A/600V
C45		011-54100-01	CAP CER AI 1N 10% T/C B 63V	D5		001-50012-05	(S) DIODE AI 1N4531 SI SMALL SIG
C46		011-54100-01	CAP CER AI 1N 10% T/C B 63V	D6		001-50012-05	(S) DIODE AI 1N4531 SI SMALL SIG
C49		019-05470-00	CAP MONOLITHIC CER 47N 10% 50V X7R	D7		001-50012-05	(S) DIODE AI 1N4531 SI SMALL SIG
C50		025-08100-03	CAP 10M 35V 20% TANT 5MM L/S	D8		001-50012-05	(S) DIODE AI 1N4531 SI SMALL SIG
C51		010-04100-04	CAP CER 1N 10% T/C B 400V	D11		001-50012-05	(S) DIODE AI 1N4531 SI SMALL SIG
C54		011-54100-01	CAP CER AI 1N 10% T/C B 63V	D12		001-50012-05	(S) DIODE AI 1N4531 SI SMALL SIG
C55		019-05470-00	CAP MONOLITHIC CER 47N 10% 50V X7R	D13		008-00014-73	(S) LED HLMP5050 GREEN RT ANGLE PCB MTG
C56		025-08100-03	CAP 10M 35V 20% TANT 5MM L/S	D14		001-00012-23	(S) DIODE BYV26C 1A/400V FAST SWITCH
C57		025-08100-03	CAP 10M 35V 20% TANT 5MM L/S				
C59		011-54100-01	CAP CER AI 1N 10% T/C B 63V				

Ref	Var	IPN	Description	Ref	Var	IPN	Description
*D15		001-00012-27	(S) DIODE BYV28-200 3.5A/200V FAST SWITCH	R53		030-55330-20	RES FILM AI 33K 5% 0.4W 4X1.6MM
*D18		001-00012-27	(S) DIODE BYV28-200 3.5A/200V FAST SWITCH	R54B		030-55330-20	RES FILM AI 33K 5% 0.4W 4X1.6MM
D19		001-00012-23	(S) DIODE BYV26C 1A/400V FAST SWITCH	R55		045-05100-01	RES NTC 10K 5% 5MM DISC
D20		001-50012-05	(S) DIODE AI 1N4531 SI SMALL SIG	R56		030-55100-20	RES FILM AI 10K 5% 0.4W 4X1.6MM
D21		001-50012-05	(S) DIODE AI 1N4531 SI SMALL SIG	R57		030-55270-20	RES FILM AI 27K 5% 0.4W 4X1.6MM
D22		001-00013-40	(S) DIODE SCHOTTKY BAT85 0.2A/30V	R58		030-55100-20	RES FILM AI 10K 5% 0.4W 4X1.6MM
D24		001-00011-70	(S) DIODE 1N4001 1A/50V	R59		030-57100-20	RES FILM AI 1M 5% 0.4W 4X1.6MM
D25		001-00011-70	(S) DIODE 1N4001 1A/50V	R62		030-54680-20	RES FILM AI 6K8 5% 0.4W 4X1.6MM
D26		001-00011-70	(S) DIODE 1N4001 1A/50V	R63		030-52330-20	RES FILM AI 33E 5% 0.4W 4X1.6MM
D27		001-00011-70	(S) DIODE 1N4001 1A/50V	R64		030-52220-20	RES FILM AI 22E 5% 0.4W 4X1.6MM
D30		001-00011-70	(S) DIODE 1N4001 1A/50V	R65		030-54150-20	RES FILM AI 1K5 5% 0.4W 4X1.6MM
D31		001-00015-19	(S) DIODE ZENER 5V6 0.4W 2% BZX79/B5V6	R66		030-54150-20	RES FILM AI 1K5 5% 0.4W 4X1.6MM
D32		008-00014-74	(S) LED HLMP5030 RED RT ANGLE PCB MTG	R67		030-55100-20	RES FILM AI 10K 5% 0.4W 4X1.6MM
D36		001-50012-05	(S) DIODE AI 1N4531 SI SMALL SIG	R70		030-53270-20	RES FILM AI 270E 5% 0.4W 4X1.6MM
D37		001-50012-05	(S) DIODE AI 1N4531 SI SMALL SIG	R71		030-54330-20	RES FILM AI 3K3 5% 0.4W 4X1.6MM
D41		001-50012-00	(S) DIODE AI 1N4148 SI GEN PURPOSE	R72		030-52100-20	RES FILM AI 10E 5% 0.4W 4X1.6MM
D43		001-00011-45	(S) DIODE DUAL 30A/90V 30CPQ90	R73		030-55100-20	RES FILM AI 10K 5% 0.4W 4X1.6MM
*D46		001-00012-91	(S) DIODE 16V TRANSIENT SUPPRESSOR	R74		030-54470-20	RES FILM AI 4K7 5% 0.4W 4X1.6MM
				R75		030-54470-20	RES FILM AI 4K7 5% 0.4W 4X1.6MM
*F1		265-00010-51	FUSE 5.0A 250V SLOW BLOW 5X20	R79A		032-32100-01	RES M/F PWR 10E 2.5W 17X5MM
FC1		340-00010-07	FUSE CLIP PCB MTG 5MM FUSE	R79B		032-32100-01	RES M/F PWR 10E 2.5W 17X5MM
FC2		340-00010-07	FUSE CLIP PCB MTG 5MM FUSE	R80		030-54100-20	RES FILM AI 1K 5% 0.4W 4X1.6MM
				R80A		030-52100-20	RES FILM AI 10E 5% 0.4W 4X1.6MM
				R80B		030-54180-20	RES FILM AI 1K8 5% 0.4W 4X1.6MM
IC1		002-00012-40	(S) IC 358 DUAL OP AMP	*R81		032-33150-01	RES M/F PWR 150E 5% 2.5W 17X5MM
IC2		002-00010-81	(S) IC 7815 +15V 1AMP TO -220 3PIN	*R82		032-33150-01	RES M/F PWR 150E 5% 2.5W 17X5MM
IC3		002-00012-40	(S) IC 358 DUAL OP AMP	R83		030-52220-20	RES FILM AI 22E 5% 0.4W 4X1.6MM
IC4		002-00016-61	(S) IC 3525A SMPS CTRL	R84		030-52220-20	RES FILM AI 22E 5% 0.4W 4X1.6MM
IC5		002-00010-75	(S) IC TSC426 DRIVER INVERTING MOSFET 8PIN	R85		030-08100-31	RES M/F 10M 3.5KV VR37 10*4MM
IC6		002-00010-75	(S) IC TSC426 DRIVER INVERTING MOSFET 8PIN	R86		030-55470-20	RES FILM AI 47K 5% 0.4W 4X1.6MM
IC7		002-00020-58	(S) IC CNX62A OPTOCOPLER 250VAC	R87		030-53100-20	RES FILM AI 100E 5% 0.4W 4X1.6MM
IC8		002-00014-15	(S) IC TL431 SHUNT REG TO-92	R88		030-54100-20	RES FILM AI 1K 5% 0.4W 4X1.6MM
				R89		030-54470-20	RES FILM AI 4K7 5% 0.4W 4X1.6MM
L1		065-00010-20	BEAD FERRITE BALUN 4B1 PHILIPS	R90		030-55470-20	RES FILM AI 47K 5% 0.4W 4X1.6MM
L2		056-00010-36	CHOKE FLTR 0.5MH COMMON MODE	R91		030-54100-20	RES FILM AI 1K 5% 0.4W 4X1.6MM
L3		056-00021-20	IND FXD 2MH 5AMP TOROIDAL	RV92		042-03470-06	RES PRESET 470E CARBON 6MM FLAT
L4		065-00010-11	BEAD FERRITE 4S3 3*1*4MM RED	R93		030-53910-20	RES FILM AI 910E 5% 0.4W 4X1.6MM
L5		065-00010-11	BEAD FERRITE 4S3 3*1*4MM RED	R94		030-54120-20	RES FILM AI 1K2 5% 0.4W 4X1.6MM
L6		065-00010-20	BEAD FERRITE BALUN 4B1 PHILIPS	R95		030-55680-20	RES FILM AI 68K 5% 0.4W 4X1.6MM
L7		065-00010-11	BEAD FERRITE 4S3 3*1*4MM RED	R96		030-54680-20	RES FILM AI 6K8 5% 0.4W 4X1.6MM
L8		065-00010-11	BEAD FERRITE 4S3 3*1*4MM RED	R98		030-55100-20	RES FILM AI 10K 5% 0.4W 4X1.6MM
				R99		030-54100-20	RES FILM AI 1K 5% 0.4W 4X1.6MM
Note: Fit L4 & L5 On Leads Of C20 Fit L7 & L8 On Leads Of C51				RLY1		237-00010-30	RELAY 12V COIL 240V 10A SPDT
PL-2		240-00020-72	HEADER 2 WAY PCB MTG ULTREX	SW1		233-00010-07	SWITCH DPDT 115/230V 6PIN
				SW2		232-00020-28	PUSH SWITCH PCB MTG
*Q1		000-00012-63	(S) XSTR MTP4N50 PWR MOSFET 500V TO220	SK-3		240-00010-23	PLUG 3 PIN 10AMP 250V PCB MTG
*Q2		000-00012-63	(S) XSTR MTP4N50 PWR MOSFET 500V TO220	SK-4		240-04030-06	TRMNL BLOCK 1WAY PC MT PHOENIX
Q3		000-50011-30	(S) XSTR AI BC557B PNP TO-92 AF S/SIG	SK-5		240-04030-06	TRMNL BLOCK 1WAY PC MT PHOENIX
Q4		000-50011-10	(S) XSTR AI BC547B NPN TO-92 AF S/SIG	SK-6		240-04030-07	TERML BLK PCB MTG 1WAY FRT 2.5H/SA10
Q6		000-00010-66	(S) XSTR BC337 NPN AF PWR TO92	SK-7		240-04030-07	TERML BLK PCB MTG 1WAY FRT 2.5H/SA10
Q7		000-50011-30	(S) XSTR AI BC557B PNP TO-92 AF S/SIG	SK-8		240-04030-07	TERML BLK PCB MTG 1WAY FRT 2.5H/SA10
Q8		000-50011-30	(S) XSTR AI BC557B PNP TO-92 AF S/SIG				
Q9		000-00010-66	(S) XSTR BC337 NPN AF PWR TO92	T1		053-00010-58	XFMR T4073 T807/808 SWITCHING
				T2		053-00010-59	XFMR T4074 T807/808 CURRENT SENSE
R1		030-08100-31	RES M/F 10M 3.5KV VR37 10*4MM	T3		053-01060-02	XFMR T4075 T807/808 MOSFET DRIVE
R2		049-00275-40	VARIATOR 275V AC 140JOULES 20MM DIA.	T4		053-00010-63	XFMR T4075 MAINS 5VA 18V
R3		035-02100-93	RES WIRE WOUND 10E 5W 19X8MM	*T5		056-00010-39	CHOKE T4072 T807 DIFFNL MODE ETD39
R4		032-35470-00	RES M/F PWR 47K 5% 1W 12X4.5MM	T6		056-00010-38	CHOKE T4071 T807-808 DIFFNL MODE
R5		030-56270-20	RES FILM AI 270K 5% 0.4W 4X1.6MM				
R6		030-56390-20	RES FILM AI 390K 5% 0.4W 4X1.6MM	TC1		239-00010-06	SWITCH THERMAL PEPI 100C BARE TERML/C/W SLEEVE
R7		032-35470-00	RES M/F PWR 47K 5% 1W 12X4.5MM				
R8		030-55680-20	RES FILM AI 68K 5% 0.4W 4X1.6MM				
R9		030-55470-20	RES FILM AI 47K 5% 0.4W 4X1.6MM				
R11		032-33100-02	RES M/F PWR 100E 5% 6W 33X9MM				
*R12		030-53180-20	RES FILM AI 180E 5% 0.4W 4X1.6MM				
R13A		030-52680-20	RES FILM AI 68E 5% 0.4W 4X1.6MM				
R13B		030-54150-20	RES FILM AI 1K5 5% 0.4W 4X1.6MM				
R14		030-54150-20	RES FILM AI 1K5 5% 0.4W 4X1.6MM				
*R17		030-52220-20	RES FILM AI 22E 5% 0.4W 4X1.6MM				
R18		030-54120-20	RES FILM AI 1K2 5% 0.4W 4X1.6MM				
*R19		030-52220-20	RES FILM AI 22E 5% 0.4W 4X1.6MM				
R20		030-54120-20	RES FILM AI 1K2 5% 0.4W 4X1.6MM				
R24		030-54120-20	RES FILM AI 1K2 5% 0.4W 4X1.6MM				
RV25		042-03470-06	RES PRESET 470E CARBON 6MM FLAT				
R26		030-53680-20	RES FILM AI 680E 5% 0.4W 4X1.6MM				
R27		030-54180-20	RES FILM AI 1K8 5% 0.4W 4X1.6MM				
R28		030-53820-20	RES FILM AI 820E 5% 0.4W 4X1.6MM				
R29		030-54270-20	RES FILM AI 2K7 5% 0.4W 4X1.6MM				
R30		030-55100-20	RES FILM AI 10K 5% 0.4W 4X1.6MM				
R32		030-56100-20	RES FILM AI 100K 5% 0.4W 4X1.6MM				
R33		030-54100-20	RES FILM AI 1K 5% 0.4W 4X1.6MM				
R34		030-55100-20	RES FILM AI 10K 5% 0.4W 4X1.6MM				
R35		030-55100-20	RES FILM AI 10K 5% 0.4W 4X1.6MM				
R36		030-55150-20	RES FILM AI 15K 5% 0.4W 4X1.6MM				
R37		030-57100-20	RES FILM AI 1M 5% 0.4W 4X1.6MM				
R38		030-55100-20	RES FILM AI 10K 5% 0.4W 4X1.6MM				
R41		030-54680-20	RES FILM AI 6K8 5% 0.4W 4X1.6MM				
R42		030-54220-20	RES FILM AI 2K2 5% 0.4W 4X1.6MM				
R43		030-55100-20	RES FILM AI 10K 5% 0.4W 4X1.6MM				
R44		030-55100-20	RES FILM AI 10K 5% 0.4W 4X1.6MM				
R46		030-56100-20	RES FILM AI 100K 5% 0.4W 4X1.6MM				
R47		030-52220-20	RES FILM AI 22E 5% 0.4W 4X1.6MM				
R49		049-00140-10	VARIATOR 140VRMS 180VDC 42 JOULES				
R50		030-54220-20	RES FILM AI 2K2 5% 0.4W 4X1.6MM				
R51		030-55100-20	RES FILM AI 10K 5% 0.4W 4X1.6MM				
R52		030-56180-20	RES FILM AI 180K 5% 0.4W 4X1.6MM				

T807 Mechanical & Miscellaneous Parts (220-01183-03)

IPN	Legend	Description	IPN	Legend	Description
200-00010-35		WIRE T/C 1.5MM/1.4MM For L1 & L6. 35mm each	356-00020-06		RECEPTL 6.3MM QUICK CONN FLARED INS For Earth Lead
201-00051-15		WIRE APPLC 1MM ² GREEN HI TEMP PVC85 For Earth Lead	356-00020-07		RECEPTL M3.5QUICK CONN M3.5 OPEN END For Earth Lead
201-00060-09		WIRE REMIT 0.8MM ² PVC WHITE For Cut Out Switch on T1	356-00020-21		TAB 6.3MM RT ANGLE SPADE CAR QCK CONN PCB Mounted Earth Connector
209-00010-26		TAPE COPPER 19MM * 0.08MM SCOTCH 1181 For taping switch to T1	362-00010-13	18	BUSH INSULATING 1.1MM TOP HAT D43 Mounting x1
220-01183-03	1	PCB T807/T808 SMPS 2 OUNCE COPPER	362-01024-00	19	INSULATOR 54*30 AS PER DRWG A4M2431 Q1/Q2 x1, D43 x1
240-02010-22		SKT MAINS 3PIN FLEX 2M/10A	362-01052-00	20	XSTR CLAMPING BRKT T807/808 A4M2407 Bracing bracket for Q1 & Q2 x1
240-06010-27		BLANKING PLATE 2.5MM GREEN Fitted to SK-8	365-00011-54		LABEL WHITE RW 1556/2 90X24MM SPEC AD For outside of box
303-23128-01	2	COVR SIDE A2M2403/2 T807/808 COMP SCRNR	365-00013-59		LABEL T807/808 HI VOLT WARNING A4A651
306-01010-00	3	FERRULE A4M948 HANDLE FXD EQUIP Place on handle x2	365-00100-05		LABEL BLANK 50X9MM S/A METLSD POLYES Mounting Kit x1 (in bag) NB/ Label is to be placed over top of screened version on panel if power supply is to be 115 Volts
307-02029-00		GUIDE REAR T807/808 A3M2409 Packed in box x2	365-01391-01		LABEL BLNK 30X10.8MM TAMPERMARK VOID Ser No x1, Job No x1, Rev No x1 & Elec Insp x1
308-01007-00	4	HANDLE A4M949 FXD EQUIP Front Panel	399-00010-10		RUBBER BAND NO 33
308-13088-00		HSINK CLIP ON 14 OR 16 DIP INT CCTS ICs 4, 5 & 6	399-00010-51		BAG PLASTIC 75*100MM For Mounting Kit
308-13091-00		HSINK PCB MTG TO-220 Heatsink for IC2 mounting to PCB	400-00020-01		SLEEING 0.7MM SIL RUBBER For Legs of R13A, R47 & R64
311-00010-39		KNOB RED PLASTIC ROUND Pushes on to SW2	400-00020-03		SLEEING 1MM SIL RUBBER For Legs of R3, R11, 79A, R79B, R81 & R82
316-06398-00	5	PNL FRT COMPL T807 A3M2405/2	400-00020-05		SLEEING 1.5MM SIL RUBBER
316-21177-02	6	PNL REAR A3M2427/2 T807 COMPL SCRNR	400-00020-07		SLEEING 2MM SIL RUBBER Goes over wire for L1 & L6.
318-01018-00	7	RAIL CHASSIS T807/808 A3M2404 Attached to PCB x2	410-01081-00		CRTN T800 KIWI REF22860 402X192X66MM
319-30030-01	8	SPACER A4M1115 T807/808 Between P.C.B. & Rails x6	410-01082-00		CRTN 10 T800 KIWI REF24417 423X410X360
345-00040-06	9	SCREW M3*8MM PAN POZI ST BZ SK-3 x2, Mounting Kit x2 (in bag)			
345-00040-12		SCREW M3X10MM CSK POZI ST BZ Mounting Kit x6 (in bag)			
345-00040-17	10	SCREW M3*16MM CSK POZI ST BZ D43 x1			
345-00040-24	11	SCREW M3X20MM CSK POZI ST BZ Q1/Q2 Bracing Bracket x2			
349-00020-07	12	SCREW 4-40 X 5/16 PAN POZI TAPTITE BLACK Front x4, Rear x4, Cover x4			
349-00020-08	13	SCREW TAPTITE 4-40X3/8IN CSK POZI BZ Covers to rails x16			
349-00020-34	14	SCREW M3*12 PAN POZI TAPTITE BZ P.C.B. to rails x6			
352-00010-08	15	NUT M3 COLD FORM HEX ST BZ D43 x1, Mains Socket x2, IC2 x1, Mounting Kit x2 (in bag)			
352-00010-29	16	NUT M4 NYLOC HEX Handle x2			
353-00010-10		WASHER M3 FLAT 7MM*0.6MM ST BZ Mounting Kit x2 (in bag)			
353-00010-12	17	WASHER M3 SPRING BZ OR Z/C D43 x1, Mains Socket x2, IC2 x1			



T807
Mechanical Assembly
220-01183-03

T808 Parts List (IPN 220-01183-03)

How To Use This Parts List

The components listed in this parts list are divided into two main types: those with a circuit reference (e.g. C2, D1, R121, etc) and those without (miscellaneous and mechanical). Static sensitive devices are prefixed with (S).

Those with a circuit reference are grouped by component type in numerical order. Each component entry comprises three or four columns: the circuit reference, variant number (if applicable), IPN and description. A number in the variant column indicates that this component is fitted only to that variant.

The miscellaneous and mechanical section lists the parts in IPN order and where possible the legend indicates their position on the exploded view.

Parts List Amendments

R13A Changed from 10E to 68E (94/06-301).
 R93 Changed from 1K to 910E (94/06-301).
 R1 & R85 Changed from 030-08100-30 to -31 due to incorrect voltage rating of the original (93/07-348).
 R1 & R85 10M added to underside of PCB to meet BAPT high voltage requirements (93/04-202).
 FC1 & FC2 (Fuseholders) changed from 6.3mm (340-00010-06) to 5mm, due to being the wrong size (93/04-181).
 C23 Changed from 020-08470-07 to -09 due to high profile of the original (92/10-742).

Important mechanical assembly changes to this issue are as follows:

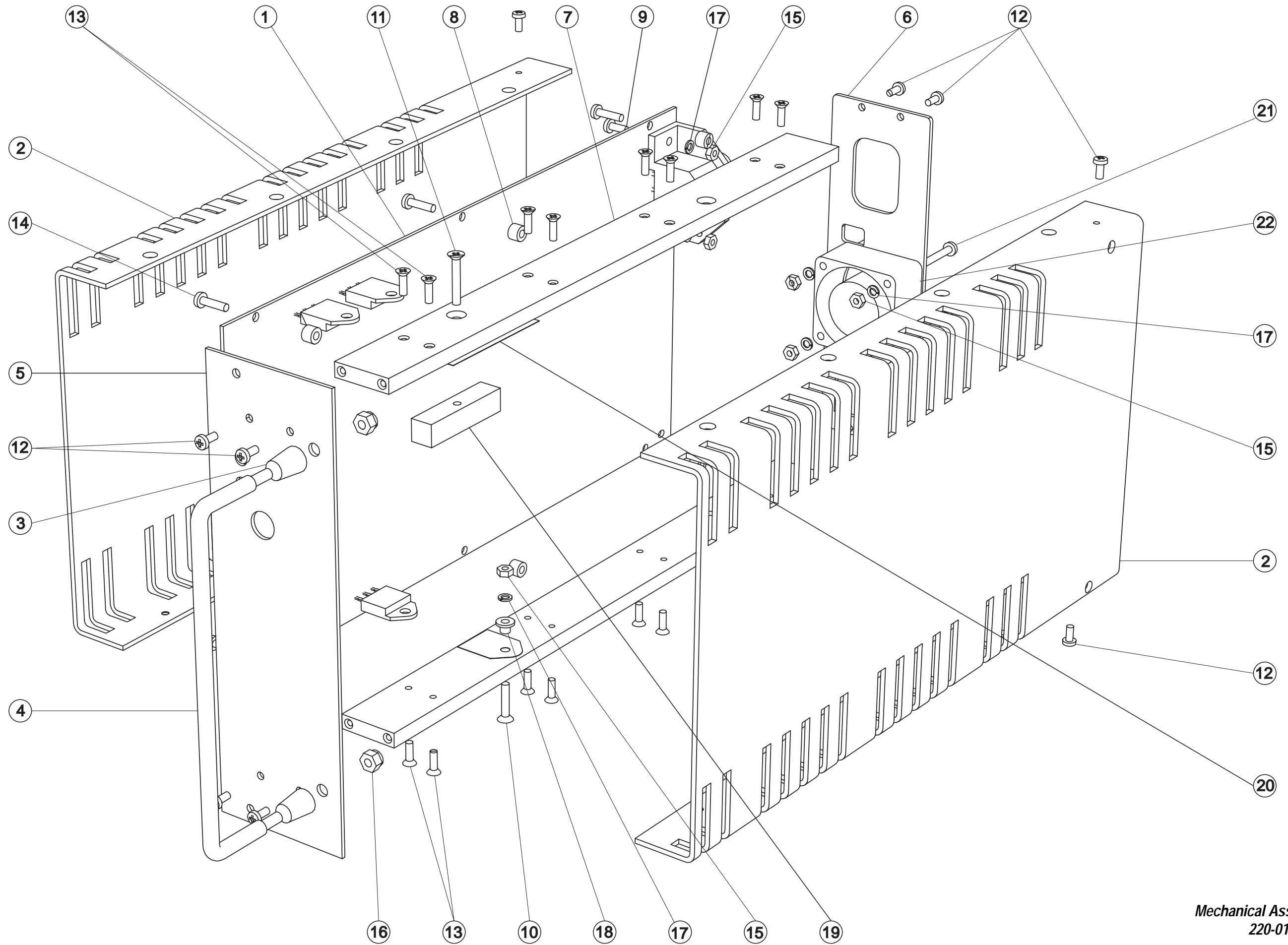
Sidcover Changed from 303-23128-00 to -01. Width increased by 0.5mm to pass BAPT high voltage test (94/05-243).
 Spacer Changed from 319-30030-00 to -01. Length increased by 0.5mm to pass BAPT high voltage test (94/05-243).
 Screw 4-40 1/4" Changed from 349-00020-06 to -07 (5/16") due to obsolete component (93/08-410).
 Gasket 362-00010-07 replaced by insulator 54*30 (362-01024-00) to meet BAPT high voltage requirements (93/04-202).

Ref	Var	IPN	Description	Ref	Var	IPN	Description
C1		010-04220-09	CAP CER 2N2 10% 250VAC APPROVED	C60		017-15470-01	CAP CER SURFACE BARRIER 47N 20% 50V
C2		010-04220-09	CAP CER 2N2 10% 250VAC APPROVED	C61		025-08100-03	CAP 10M 35V 20% TANT 5MM L/S
C3		022-06470-04	CAP MYLAR 470N 10% 250VAC	C62		019-05470-00	CAP MONOLITHIC CER 47N 10% 50V X7R
C4		022-06470-04	CAP MYLAR 470N 10% 250VAC	C63		022-57100-02	CAP MYLAR AI 1M 20% 50V POTTED
C5		012-04220-06	CAP CER 2N2 3-PIN SUPPR FLTR	C65		020-09470-07	CAP 470M 16V 20% ELEC VERT 8*20 3.5MM L/S LO-ESR
C6		012-04220-06	CAP CER 2N2 3-PIN SUPPR FLTR	C66		024-14470-01	CAP METAL POLYPR RADL 4N7 10% 400VAC
*C9		021-09560-00	CAP 560UF ELECT 200V 105D 25DIA X40 10MMLS	C67		024-14470-01	CAP METAL POLYPR RADL 4N7 10% 400VAC
*C10		021-09560-00	CAP 560UF ELECT 200V 105D 25DIA X40 10MMLS	*C68		020-19330-02	CAP 3300M 16V ELEC 13*40 VERT
*C11		021-09560-00	CAP 560UF ELECT 200V 105D 25DIA X40 10MMLS	*C69		020-19330-02	CAP 3300M 16V ELEC 13*40 VERT
*C12		021-09560-00	CAP 560UF ELECT 200V 105D 25DIA X40 10MMLS	*C70		020-19330-02	CAP 3300M 16V ELEC 13*40 VERT
*C13		024-07100-00	CAP 1M 250VDC 5% POLYPROP.22.5 L/S	*C71		020-19330-02	CAP 3300M 16V ELEC 13*40 VERT
*C14		024-07100-00	CAP 1M 250VDC 5% POLYPROP.22.5 L/S	*C72		020-19330-02	CAP 3300M 16V ELEC 13*40 VERT
*C15		010-03470-03	CAP 470P T/C B 10% 6KV CERAMIC	*C73		020-19330-02	CAP 3300M 16V ELEC 13*40 VERT
C16		025-07100-01	CAP TANT BEAD 1M 35V	C74		010-04220-09	CAP CER 2N2 10% 250VAC APPROVED
C17		011-53470-02	CAP CER AI 470P 10% T/C B 63V	C75		010-04220-09	CAP CER 2N2 10% 250VAC APPROVED
C20		010-04100-04	CAP CER 1N 10% T/C B 400V	C78		020-09820-01	CAP 820M 16V ELECT 10X25MM
C21		022-55470-10	CAP MYLAR AI 47N 5% 63V POTTED	C79		019-05470-00	CAP MONOLITHIC CER 47N 10% 50V X7R
C22		022-55470-10	CAP MYLAR AI 47N 5% 63V POTTED	C80		010-04100-04	CAP CER 1N 10% T/C B 400V
C23		020-08470-09	CAP ELECT RADL 47M 16V 10X18MM HI TEMP	C81		010-04100-04	CAP CER 1N 10% T/C B 400V
C24		020-07100-04	CAP ELECT RADL 1M 63V 8X12MM HI TEMP	C82		010-04100-04	CAP CER 1N 10% T/C B 400V
C25		025-08100-03	CAP 10M 35V 20% TANT 5MM L/S	C84		019-05470-00	CAP MONOLITHIC CER 47N 10% 50V X7R
C26		011-54100-01	CAP CER AI 1N 10% T/C B 63V	C85		011-52330-01	CAP CER AI 33P 5% N150 50/63V
C27		011-54100-01	CAP CER AI 1N 10% T/C B 63V	C86		022-54100-10	CAP MYLAR AI 1N 5% 63V POTTED
C31		011-54100-01	CAP CER AI 1N 10% T/C B 63V	C87		022-54220-10	CAP MYLAR AI 2N2 5% 63V POTTED
C32		011-54100-01	CAP CER AI 1N 10% T/C B 63V	C88		022-55470-10	CAP MYLAR AI 47N 5% 63V POTTED
C33		019-05470-00	CAP MONOLITHIC CER 47N 10% 50V X7R	C89		011-52220-01	CAP CER AI 22P 5% N150 50/63V
C34		025-08100-03	CAP 10M 35V 20% TANT 5MM L/S	C90		010-04100-04	CAP CER 1N 10% T/C B 400V
C37		020-19220-04	CAP 2200M ELEC 35V 16X35 L ESR	C91		010-04100-04	CAP CER 1N 10% T/C B 400V
C38		019-05470-00	CAP MONOLITHIC CER 47N 10% 50V X7R	C95		011-54100-01	CAP CER AI 1N 10% T/C B 63V
C39		019-05470-00	CAP MONOLITHIC CER 47N 10% 50V X7R	D1		001-00012-30	(S) DIODE 6A6 MR 756 BY214-600 6A/600V
C42		011-54100-01	CAP CER AI 1N 10% T/C B 63V	D2		001-00012-30	(S) DIODE 6A6 MR 756 BY214-600 6A/600V
C43		011-54100-01	CAP CER AI 1N 10% T/C B 63V	D3		001-00012-30	(S) DIODE 6A6 MR 756 BY214-600 6A/600V
C44		025-07100-01	CAP TANT BEAD 1M 35V	D4		001-00012-30	(S) DIODE 6A6 MR 756 BY214-600 6A/600V
C45		011-54100-01	CAP CER AI 1N 10% T/C B 63V	D5		001-50012-05	(S) DIODE AI 1N4531 SI SMALL SIG
C46		011-54100-01	CAP CER AI 1N 10% T/C B 63V	D6		001-50012-05	(S) DIODE AI 1N4531 SI SMALL SIG
C49		019-05470-00	CAP MONOLITHIC CER 47N 10% 50V X7R	D7		001-50012-05	(S) DIODE AI 1N4531 SI SMALL SIG
C50		025-08100-03	CAP 10M 35V 20% TANT 5MM L/S	D8		001-50012-05	(S) DIODE AI 1N4531 SI SMALL SIG
C51		010-04100-04	CAP CER 1N 10% T/C B 400V	D11		001-50012-05	(S) DIODE AI 1N4531 SI SMALL SIG
C54		011-54100-01	CAP CER AI 1N 10% T/C B 63V	D12		001-50012-05	(S) DIODE AI 1N4531 SI SMALL SIG
C55		019-05470-00	CAP MONOLITHIC CER 47N 10% 50V X7R	D13		008-00014-73	(S) LED HLMP5050 GREEN RT ANGLE PCB MTG
C56		025-08100-03	CAP 10M 35V 20% TANT 5MM L/S	D14		001-00012-23	(S) DIODE BYV26C 1A/400V FAST SWITCH
C57		025-08100-03	CAP 10M 35V 20% TANT 5MM L/S				
C59		011-54100-01	CAP CER AI 1N 10% T/C B 63V				

Ref	Var	IPN	Description	Ref	Var	IPN	Description
*D15		001-00011-06	(S) DIODE MUR440 ULTRAFAST 400V 4A	R53		030-55330-20	RES FILM AI 33K 5% 0.4W 4X1.6MM
*D18		001-00011-06	(S) DIODE MUR440 ULTRAFAST 400V 4A	R54B		030-55330-20	RES FILM AI 33K 5% 0.4W 4X1.6MM
D19		001-00012-23	(S) DIODE BY26C 1A/400V FAST SWITCH	R55		045-05100-01	RES NTC 10K 5% 5MM DISC
D20		001-50012-05	(S) DIODE AI 1N4531 SI SMALL SIG	R56		030-55100-20	RES FILM AI 10K 5% 0.4W 4X1.6MM
D21		001-50012-05	(S) DIODE AI 1N4531 SI SMALL SIG	R57		030-55270-20	RES FILM AI 27K 5% 0.4W 4X1.6MM
D22		001-00013-40	(S) DIODE SCHOTTKY BAT85 0.2A/30V	R58		030-55100-20	RES FILM AI 10K 5% 0.4W 4X1.6MM
D24		001-00011-70	(S) DIODE 1N4001 1A/50V	R59		030-57100-20	RES FILM AI 1M 5% 0.4W 4X1.6MM
D25		001-00011-70	(S) DIODE 1N4001 1A/50V	R62		030-54680-20	RES FILM AI 6K8 5% 0.4W 4X1.6MM
D26		001-00011-70	(S) DIODE 1N4001 1A/50V	R63		030-52330-20	RES FILM AI 33E 5% 0.4W 4X1.6MM
D27		001-00011-70	(S) DIODE 1N4001 1A/50V	R64		030-52220-20	RES FILM AI 22E 5% 0.4W 4X1.6MM
D30		001-00011-70	(S) DIODE 1N4001 1A/50V	R65		030-54150-20	RES FILM AI 1K5 5% 0.4W 4X1.6MM
D31		001-00015-19	(S) DIODE ZENER 5V6 0.4W 2% BZX79/B5V6	R66		030-54150-20	RES FILM AI 1K5 5% 0.4W 4X1.6MM
D32		008-00014-74	(S) LED HLMP5030 RED RT ANGLE PCB MTG	R67		030-55100-20	RES FILM AI 10K 5% 0.4W 4X1.6MM
D36		001-50012-05	(S) DIODE AI 1N4531 SI SMALL SIG	R70		030-53270-20	RES FILM AI 270E 5% 0.4W 4X1.6MM
D37		001-50012-05	(S) DIODE AI 1N4531 SI SMALL SIG	R71		030-54330-20	RES FILM AI 3K3 5% 0.4W 4X1.6MM
D41		001-50012-00	(S) DIODE AI 1N4148 SI GEN PURPOSE	R72		030-52100-20	RES FILM AI 10E 5% 0.4W 4X1.6MM
D43		001-00011-45	(S) DIODE DUAL 30A/90V 30CPQ90	R73		030-55100-20	RES FILM AI 10K 5% 0.4W 4X1.6MM
*D46		001-00012-92	(S) DIODE 1N6276A 16V O/VOLT SUPPRESSOR	R74		030-54470-20	RES FILM AI 4K7 5% 0.4W 4X1.6MM
				R75		030-54470-20	RES FILM AI 4K7 5% 0.4W 4X1.6MM
*F1		265-00010-24	FUSE 8.0A 250V SLOW BLOW 5X20	R79A		032-32100-01	RES M/F PWR 10E 2.5W 17X5MM
FC1		340-00010-07	FUSE CLIP PCB MTG 5MM FUSE	R79B		032-32100-01	RES M/F PWR 10E 2.5W 17X5MM
FC2		340-00010-07	FUSE CLIP PCB MTG 5MM FUSE	R80		030-54100-20	RES FILM AI 1K 5% 0.4W 4X1.6MM
				R80A		030-52100-20	RES FILM AI 10E 5% 0.4W 4X1.6MM
				R80B		030-54180-20	RES FILM AI 1K8 5% 0.4W 4X1.6MM
IC1		002-00012-40	(S) IC 358 DUAL OP AMP	*R81		032-33120-01	RES M/F PWR 120E 5% 2.5W 17X5MM
IC2		002-00010-81	(S) IC 7815 +15V 1AMP TO -220 3PIN	*R82		032-33120-01	RES M/F PWR 120E 5% 2.5W 17X5MM
IC3		002-00012-40	(S) IC 358 DUAL OP AMP	R83		030-52220-20	RES FILM AI 22E 5% 0.4W 4X1.6MM
IC4		002-00016-61	(S) IC 3525A SMPS CTRL	R84		030-52220-20	RES FILM AI 22E 5% 0.4W 4X1.6MM
IC5		002-00010-75	(S) IC TSC426 DRIVER INVERTING MOSFET 8PIN	R85		030-08100-31	RES M/F 10M 3.5KV VR37 10*4MM
IC6		002-00010-75	(S) IC TSC426 DRIVER INVERTING MOSFET 8PIN	R86		030-55470-20	RES FILM AI 47K 5% 0.4W 4X1.6MM
IC7		002-00020-58	(S) IC CNX62A OPTOCOPLER 250VAC	R87		030-53100-20	RES FILM AI 100E 5% 0.4W 4X1.6MM
IC8		002-00014-15	(S) IC TL431 SHUNT REG TO-92	R88		030-54100-20	RES FILM AI 1K 5% 0.4W 4X1.6MM
				R89		030-54470-20	RES FILM AI 4K7 5% 0.4W 4X1.6MM
L1		065-00010-20	BEAD FERRITE BALUN 4B1 PHILIPS	R90		030-55470-20	RES FILM AI 47K 5% 0.4W 4X1.6MM
L2		056-00010-36	CHOKE FLTR 0.5MH COMMON MODE	R91		030-54100-20	RES FILM AI 1K 5% 0.4W 4X1.6MM
L3		056-00021-20	IND FXD 2MH 5AMP TOROIDAL	RV92		042-03470-06	RES PRESET 470E CARBON 6MM FLAT
L4		065-00010-11	BEAD FERRITE 4S3 3*1*4MM RED	R93		030-53910-20	RES FILM AI 910E 5% 0.4W 4X1.6MM
L5		065-00010-11	BEAD FERRITE 4S3 3*1*4MM RED	R94		030-54120-20	RES FILM AI 1K2 5% 0.4W 4X1.6MM
L6		065-00010-20	BEAD FERRITE BALUN 4B1 PHILIPS	R95		030-55680-20	RES FILM AI 68K 5% 0.4W 4X1.6MM
L7		065-00010-11	BEAD FERRITE 4S3 3*1*4MM RED	R96		030-54680-20	RES FILM AI 6K8 5% 0.4W 4X1.6MM
L8		065-00010-11	BEAD FERRITE 4S3 3*1*4MM RED	R98		030-55100-20	RES FILM AI 10K 5% 0.4W 4X1.6MM
				R99		030-54100-20	RES FILM AI 1K 5% 0.4W 4X1.6MM
Note: Fit L4 & L5 On Leads Of C20 Fit L7 & L8 On Leads Of C51				RLY1		237-00010-30	RELAY 12V COIL 240V 10A SPDT
PL-2		240-00020-72	HEADER 2 WAY PCB MTG ULTREX	SW1		233-00010-07	SWITCH DPDT 115/230V 6PIN
				SW2		232-00020-28	PUSH SWITCH PCB MTG
*Q1		000-00012-61	(S) XSTR MTH7N50 N CHAN PWR MOS 7A 500V	SK-3		240-00010-23	PLUG 3 PIN 10AMP 250V PCB MTG
*Q2		000-00012-61	(S) XSTR MTH7N50 N CHAN PWR MOS 7A 500V	SK-4		240-04030-06	TRMNL BLOCK 1WAY PC MT PHOENIX
Q3		000-50011-30	(S) XSTR AI BC557B PNP TO-92 AF S/SIG	SK-5		240-04030-06	TRMNL BLOCK 1WAY PC MT PHOENIX
Q4		000-50011-10	(S) XSTR AI BC547B NPN TO-92 AF S/SIG	SK-6		240-04030-07	TERML BLK PCB MTG 1WAY FRT 2.5H/SA10
Q6		000-00010-66	(S) XSTR BC337 NPN AF PWR TO92	SK-7		240-04030-07	TERML BLK PCB MTG 1WAY FRT 2.5H/SA10
Q7		000-50011-30	(S) XSTR AI BC557B PNP TO-92 AF S/SIG	SK-8		240-04030-07	TERML BLK PCB MTG 1WAY FRT 2.5H/SA10
Q8		000-50011-30	(S) XSTR AI BC557B PNP TO-92 AF S/SIG				
Q9		000-00010-66	(S) XSTR BC337 NPN AF PWR TO92	T1		053-00010-58	XFMR T4073 T807/808 SWITCHING
				T2		053-00010-59	XFMR T4074 T807/808 CURRENT SENSE
R1		030-08100-31	RES M/F 10M 3.5KV VR37 10*4MM	T3		053-01060-02	XFMR T4075 T807/808 MOSFET DRIVE
R2		049-00275-40	VARIATOR 275V AC 140JOULES 20MM DIA.	T4		053-00010-63	XFMR T4075 MAINS 5VA 18V
R3		035-02100-93	RES WIRE WOUND 10E 5W 19X8MM	*T5		056-00010-49	CHOKE T4080 T808 DIFFNL MODE ETD39
R4		032-35470-00	RES M/F PWR 47K 5% 1W 12X4.5MM	T6		056-00010-38	CHOKE T4071 T807-808 DIFFNL MODE
R5		030-56270-20	RES FILM AI 270K 5% 0.4W 4X1.6MM				
R6		030-56390-20	RES FILM AI 390K 5% 0.4W 4X1.6MM	TC1		239-00010-06	SWITCH THERMAL PEPI 100C BARE TERML/C/W SLEEVE
R7		032-35470-00	RES M/F PWR 47K 5% 1W 12X4.5MM				
R8		030-55680-20	RES FILM AI 68K 5% 0.4W 4X1.6MM				
R9		030-55470-20	RES FILM AI 47K 5% 0.4W 4X1.6MM				
R11		032-33100-02	RES M/F PWR 100E 5% 6W 33X9MM				
*R12		030-53100-20	RES FILM AI 100E 5% 0.4W 4X1.6MM				
R13A		030-52680-20	RES FILM AI 68E 5% 0.4W 4X1.6MM				
R13B		030-54150-20	RES FILM AI 1K5 5% 0.4W 4X1.6MM				
R14		030-54150-20	RES FILM AI 1K5 5% 0.4W 4X1.6MM				
*R17		030-52100-20	RES FILM AI 10E 5% 0.4W 4X1.6MM				
R18		030-54120-20	RES FILM AI 1K2 5% 0.4W 4X1.6MM				
*R19		030-52100-20	RES FILM AI 10E 5% 0.4W 4X1.6MM				
R20		030-54120-20	RES FILM AI 1K2 5% 0.4W 4X1.6MM				
R24		030-54120-20	RES FILM AI 1K2 5% 0.4W 4X1.6MM				
RV25		042-03470-06	RES PRESET 470E CARBON 6MM FLAT				
R26		030-53680-20	RES FILM AI 680E 5% 0.4W 4X1.6MM				
R27		030-54180-20	RES FILM AI 1K8 5% 0.4W 4X1.6MM				
R28		030-53820-20	RES FILM AI 820E 5% 0.4W 4X1.6MM				
R29		030-54270-20	RES FILM AI 2K7 5% 0.4W 4X1.6MM				
R30		030-55100-20	RES FILM AI 10K 5% 0.4W 4X1.6MM				
R32		030-56100-20	RES FILM AI 100K 5% 0.4W 4X1.6MM				
R33		030-54100-20	RES FILM AI 1K 5% 0.4W 4X1.6MM				
R34		030-55100-20	RES FILM AI 10K 5% 0.4W 4X1.6MM				
R35		030-55100-20	RES FILM AI 10K 5% 0.4W 4X1.6MM				
R36		030-55150-20	RES FILM AI 15K 5% 0.4W 4X1.6MM				
R37		030-57100-20	RES FILM AI 1M 5% 0.4W 4X1.6MM				
R38		030-55100-20	RES FILM AI 10K 5% 0.4W 4X1.6MM				
R41		030-54680-20	RES FILM AI 6K8 5% 0.4W 4X1.6MM				
R42		030-54220-20	RES FILM AI 2K2 5% 0.4W 4X1.6MM				
R43		030-55100-20	RES FILM AI 10K 5% 0.4W 4X1.6MM				
R44		030-55100-20	RES FILM AI 10K 5% 0.4W 4X1.6MM				
R46		030-56100-20	RES FILM AI 100K 5% 0.4W 4X1.6MM				
R47		030-52220-20	RES FILM AI 22E 5% 0.4W 4X1.6MM				
R49		049-00140-10	VARIATOR 140VRMS 180VDC 42 JOULES				
R50		030-54220-20	RES FILM AI 2K2 5% 0.4W 4X1.6MM				
R51		030-55100-20	RES FILM AI 10K 5% 0.4W 4X1.6MM				
R52		030-56180-20	RES FILM AI 180K 5% 0.4W 4X1.6MM				

T808 Mechanical & Miscellaneous Parts (220-01183-03)

IPN	Legend	Description	IPN	Legend	Description
200-00010-35		WIRE T/C 1.5MM/1.4MM For L1 & L6. 35mm each	352-00010-08	15	NUT M3 COLD FORM HEX ST BZ D43 x1, Mains Socket x2, IC2 x1, Fan X4, Mounting Kit x2 (in bag)
201-00051-15		WIRE APPLC 1MM ² GREEN HI TEMP PVC85 For Earth Lead	352-00010-29	16	NUT M4 NYLOC HEX Handle x2
201-00060-09		WIRE REMIT 0.8MM ² PVC WHITE For Cut Out Switch on T1	353-00010-10		WASHER M3 FLAT 7MM*0.6MM ST BZ Mounting Kit x2 (in bag)
209-00010-26		TAPE COPPER 19MM * 0.08MM SCOTCH 1181 For taping switch to T1	353-00010-12	17	WASHER M3 SPRING BZ OR Z/C D43 x1, Mains Socket x2, IC2 x1, Fan x4
220-01183-03	1	PCB T807/T808 SMPS 2 OUNCE COPPER	356-00020-06		RECEPTL 6.3MM QUICK CONN FLARED INS For Earth Lead
240-02010-22		SKT MAINS 3PIN FLEX 2M/10A	356-00020-07		RECEPTL M3.5QUICK CONN M3.5 OPEN END For Earth Lead
*240-04020-72		SOCKET HOUSING 2 WAY MTG ULTREX To connect fan to PL-2	356-00020-21		TAB 6.3MM RT ANGLE SPADE CAR QCK CONN PCB Mounted Earth Connector
*240-04020-76		SKT RECEPTACLES WIRE CRIMP ULTREX To connect fan to PL-2	362-00010-13	18	BUSH INSULATING 1.1MM TOP HAT D43 Mounting x1
240-06010-27		BLANKING PLATE 2.5MM GREEN Fitted to SK-8	362-01024-00	19	INSULATOR 54*30 AS PER DRWG A4M2431 Q1/Q2 x1, D43 x1
*258-00010-04	22	FAN 12V TUBEAXIAL 40x40x20 MM Mount on rear panel	362-01052-00	20	XSTR CLAMPING BRKT T807/808 A4M2407 Bracing bracket for Q1 & Q2 x1
303-23128-01	2	COVR SIDE A2M2403/2 T807/808 COMP SCRIN	365-00011-54		LABEL WHITE RW 1556/2 90X24MM SPEC AD For outside of box
306-01010-00	3	FERRULE A4M948 HANDLE FXD EQUIP Place on handle x2	365-00013-59		LABEL T807/808 HI VOLT WARNING A4A651
307-02029-00		GUIDE REAR T807/808 A3M2409 Packed in box x2	365-00100-05		LABEL BLANK 50X9MM S/A METLSD POLYES Mounting Kit x1 (in bag) NB/ Label is to be placed over top of screened version on panel if power supply is to be 115 Volts
308-01007-00	4	HANDLE A4M949 FXD EQUIP Front Panel	365-01391-01		LABEL BLNK 30X10.8MM TAMPERMARK VOID Ser No x1, Job No x1, Rev No x1 & Elec Insp x1
308-13088-00		HSINK CLIP ON 14 OR 16 DIP INT CCTS ICs 4, 5 & 6	399-00010-10		RUBBER BAND NO 33
308-13091-00		HSINK PCB MTG TO-220 Heatsink for IC2 mounting to PCB	399-00010-51		BAG PLASTIC 75*100MM For Mounting Kit
311-00010-39		KNOB RED PLASTIC ROUND Pushes on to SW2	400-00020-01		SLEEIVING 0.7MM SIL RUBBER For Legs of R13A, R47 & R64
316-06399-00	5	PNL FRT COMPL T807 A3M2405/2	400-00020-03		SLEEIVING 1MM SIL RUBBER For Legs of R3, R11, 79A, R79B, R81 & R82
316-21176-02	6	PNL REAR A3M2427/2 T807 COMPL SCRIN	400-00020-05		SLEEIVING 1.5MM SIL RUBBER
318-01018-00	7	RAIL CHASSIS T807/808 A3M2404 Attached to PCB x2	400-00020-07		SLEEIVING 2MM SIL RUBBER Goes over wire for L1 & L6.
319-30030-01	8	SPACER A4M1115 T807/808 Between P.C.B. & Rails x6	410-01081-00		CRTN T800 KIWI REF22860 402X192X66MM
345-00040-06	9	SCREW M3*8MM PAN POZI ST BZ SK-3 x2, Mounting Kit x2 (in bag)	410-01082-00		CRTN 10 T800 KIWI REF24417 423X410X360
345-00040-12		SCREW M3X10MM CSK POZI ST BZ Mounting Kit x6 (in bag)			
345-00040-17	10	SCREW M3*16MM CSK POZI ST BZ D43 x1			
*345-00040-19	21	SCREW M3*25MM PAN POZI ST BZ Fan x4			
345-00040-24	11	SCREW M3X20MM CSK POZI ST BZ Q1/Q2 Bracing Bracket x2			
349-00020-07	12	SCREW 4-40 X 5/16 PAN POZI TAPTITE BLACK Front x4, Rear x4, Cover x4			
349-00020-08	13	SCREW TAPTITE 4-40X3/8IN CSK POZI BZ Covers to rails x16			
349-00020-34	14	SCREW M3*12 PAN POZI TAPTITE BZ P.C.B. to rails x6			



T808
Mechanical Assembly
220-01183-03

T807/808 Grid Reference Index (IPN 220-01183-03)

How To Use This Grid Reference Index

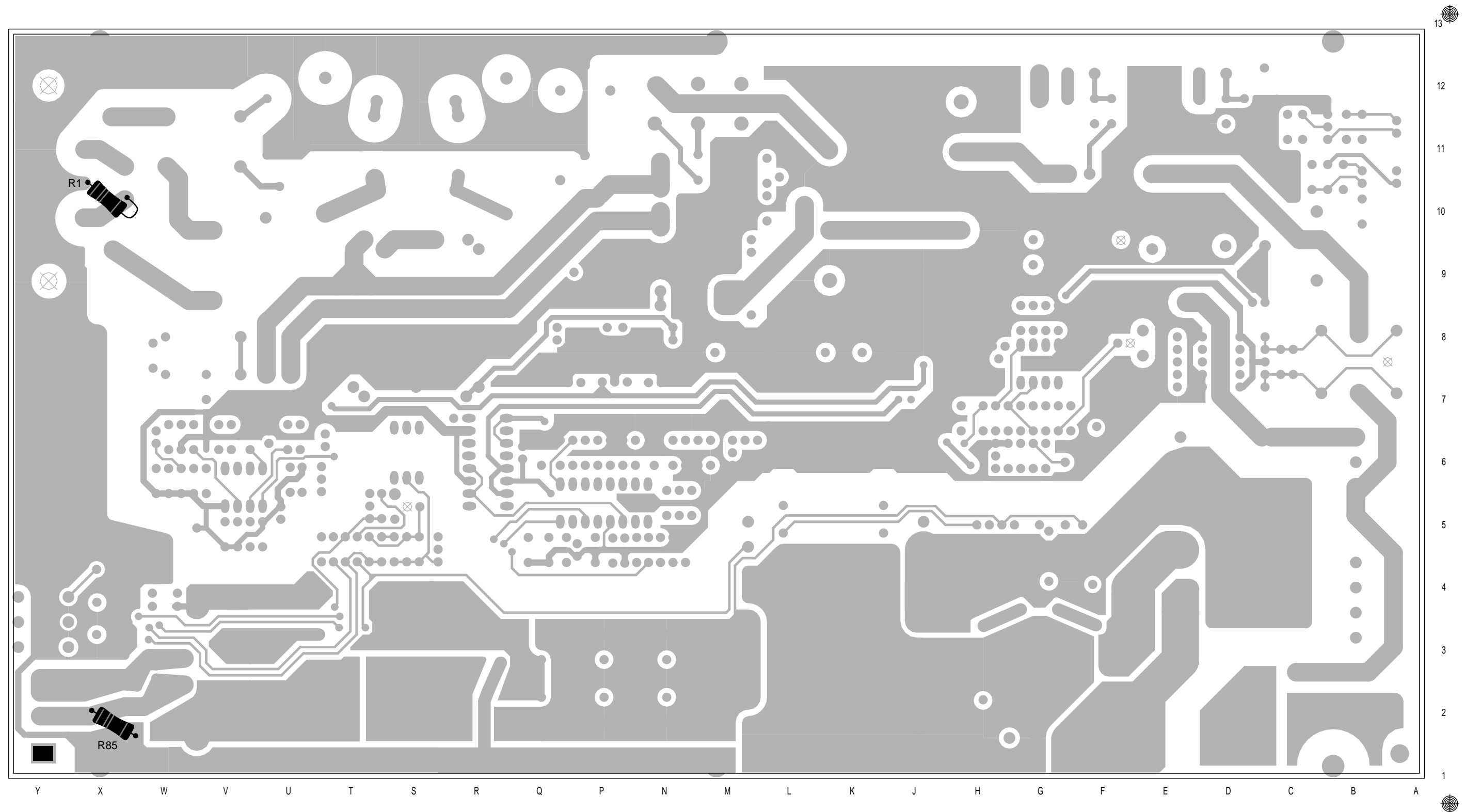
The first digit in the PCB layout reference is a "1" or "2", indicating the top or bottom side layout respectively, and the last two characters give the location of the component on that diagram.

The first digit in the circuit diagram reference is the sheet number, and the last two characters give the location of the component on that sheet.

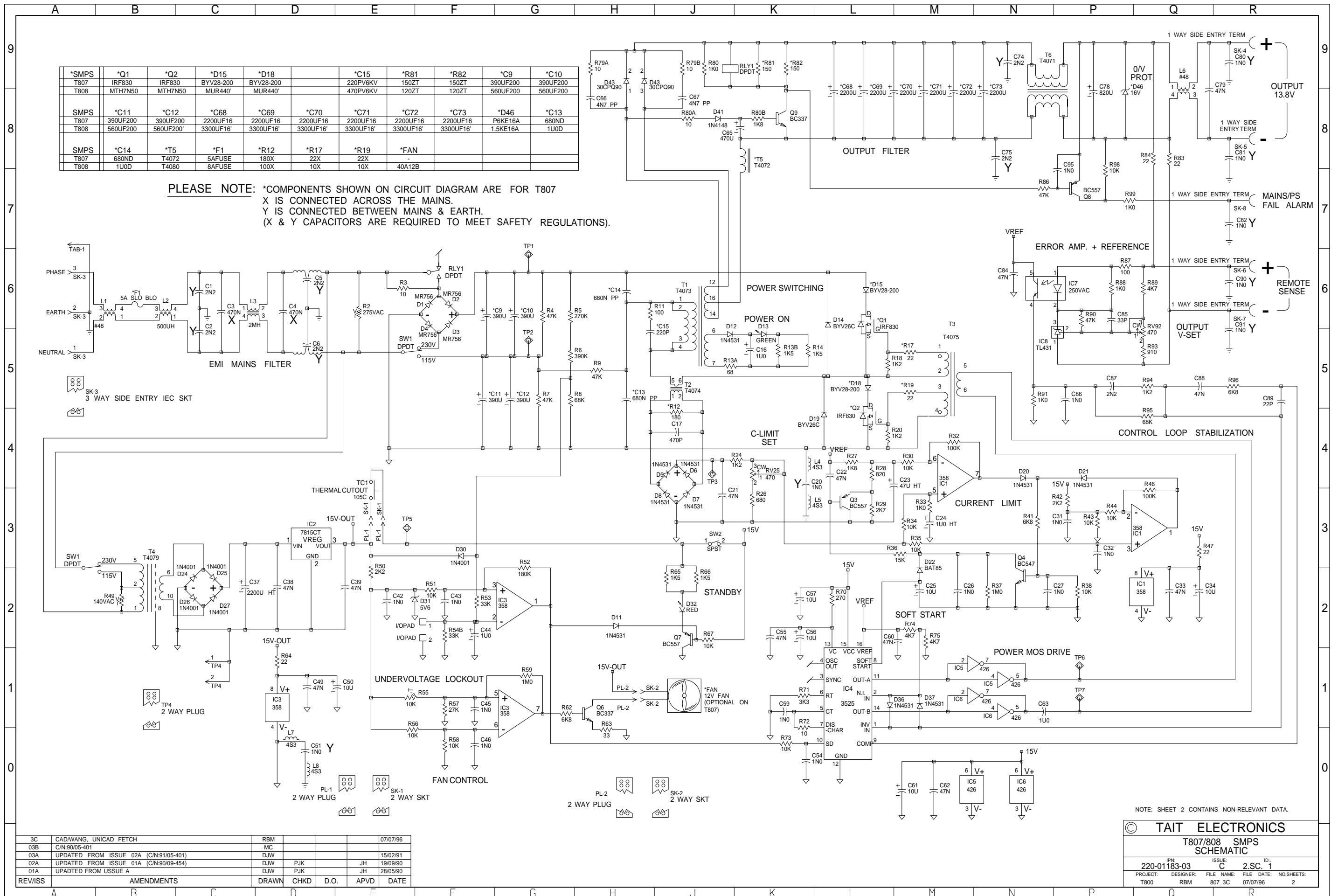
Note: There is a silk screen printing error on the Issue 03 PCB. D36 and D37 are shown the wrong way around. This Grid Reference Index and the PCB Layout show these components in the correct positions.

Device	PCB	Circuit	Device	PCB	Circuit	Device	PCB	Circuit	Device	PCB	Circuit
C1	1:U11	1-C6	C74	1:R3	1-N9			1-D1	R34	1:G7	1-M3
C2	1:U12	1-C5	C75	1:R2	1-N8	IC4	1:Q6	1-L0	R35	1:G8	1-M3
C3	1:T11	1-C6	C78	1:V3	1-P8	IC5	1:R5	1-M1	R36	1:M6	1-M3
C4	1:R11	1-D6	C79	1:W3	1-Q8			1-N1	R37	1:M6	1-M2
C5	1:P10	1-D6	C80	1:X2	1-R9			1-M0	R38	1:M6	1-P2
C6	1:P12	1-D5	C81	1:X3	1-R8	IC6	1:R6	1-M1	R41	1:H7	1-N3
*C9	1:K9	1-F6	C82	1:X4	1-R7			1-N1	R42	1:E7	1-P3
*C10	1:H11	1-G6	C84	1:R7	1-N6			1-N0	R43	1:E7	1-P3
*C11	1:H9	1-F5	C85	1:S4	1-P6	IC7	1:S6	1-N6	R44	1:G8	1-Q3
*C12	1:K11	1-G5	C86	1:N4	1-P5	IC8	1:S5	1-P5	R47	1:G6	1-N0
*C13	1:J8	1-H5	C87	1:N5	1-P5	L1	1:X10	1-A6	R49	1:N10	1-B2
*C14	1:L8	1-H6	C88	1:N5	1-Q5	L2	1:V11	1-B6	R50	1:V6	1-E2
*C15	1:D3	1-H5	C89	1:N5	1-R5	L3	1:S11	1-C6	R51	1:W7	1-F2
C16	1:B11	1-K5	C90	1:X3	1-R6	L4	1:C12	1-K4	R52	1:V5	1-G3
C17	1:C8	1-J4	C91	1:X4	1-R5	L5	1:C12	1-K3	R53	1:U7	1-F2
C20	1:C12	1-K4	C95	1:T5	1-P7	L6	1:W3	1-Q9	R54B	1:U5	1-F2
C21	1:D8	1-J3	D1	1:N10	1-F6	L7	1:W5	1-D0	R55	1:W6	1-E1
C22	1:G6	1-L4	D2	1:N9	1-F6	L8	1:W5	1-D0	R56	1:W6	1-F0
C23	1:F6	1-M4	D3	1:N8	1-F6	PL-1	1:D9	1-E0	R57	1:W6	1-F1
C24	1:F7	1-M3	D4	1:M9	1-F6			1-E3	R58	1:W6	1-F0
C25	1:N6	1-M2	D5	1:D7	1-J4	PL-2	1:T6	1-H0	R59	1:V5	1-G1
C26	1:N6	1-M2	D6	1:D8	1-J4	*Q1	1:G12	1-L6	R61	1:G8	1-Q3
C27	1:L6	1-N2	D7	1:C8	1-J3	*Q2	1:E12	1-L4	R62	1:U6	1-G1
C31	1:E8	1-P3	D8	1:C7	1-J3	Q3	1:H6	1-L3	R63	1:U6	1-H0
C32	1:G8	1-P3	D11	1:C12	1-H2	Q4	1:M6	1-N2	R64	1:V6	1-D1
C33	1:H8	1-Q2	D12	1:B11	1-J5	Q6	1:U6	1-H1	R65	1:B11	1-J2
C34	1:H8	1-Q2	D13	1:A11	1-K5	Q7	1:B11	1-J2	R66	1:B11	1-J2
C37	1:P9	1-C2	D14	1:G11	1-L6	Q8	1:T5	1-P7	R67	1:C11	1-J2
C38	1:N7	1-D2	*D15	1:G12	1-L6	Q9	1:H5	1-K8	R70	1:P5	1-L2
C39	1:P7	1-E2	*D18	1:E12	1-L5	R1	2:X10		R71	1:P6	1-K1
C42	1:W7	1-E2	D19	1:E11	1-L4	R2	1:N11	1-E6	R72	1:P6	1-K1
C43	1:V5	1-F2	D20	1:H7	1-N4	R3	1:U10	1-E6	R73	1:P4	1-K0
C44	1:U5	1-F2	D21	1:H7	1-P4	R4	1:M8	1-G6	R74	1:P6	1-M2
C45	1:W6	1-F1	D22	1:N6	1-M3	R5	1:L10	1-G6	R75	1:Q6	1-M2
C46	1:W6	1-F0	D24	1:Q8	1-C2	R6	1:L10	1-G5	R79A	1:G2	1-H9
C49	1:U6	1-D1	D25	1:P8	1-C2	R7	1:M10	1-G5	R79B	1:G2	1-J9
C50	1:V6	1-E1	D26	1:N8	1-C2	R8	1:L11	1-G5	R80	1:W8	1-J9
C51	1:W5	1-D0	D27	1:P8	1-C2	R9	1:G10	1-H5	R80A	1:F4	1-J8
C54	1:P5	1-K0	D30	1:U7	1-F3	R11	1:D2	1-J6	R80B	1:G5	1-K8
C55	1:Q5	1-K2	D31	1:V7	1-F2	*R12	1:C7	1-J4	*R81	1:K5	1-K9
C56	1:P4	1-K2	D32	1:A11	1-J2	R13A	1:B10	1-J5	*R82	1:K5	1-K9
C57	1:Q5	1-K2	D36	1:P6	1-L1	R13B	1:B11	1-K5	R83	1:U5	1-Q8
C59	1:P6	1-K1	D37	1:Q6	1-M1	R14	1:C11	1-K5	R84	1:T5	1-Q8
C60	1:Q5	1-M2	D41	1:G4	1-J8	*R17	1:F12	1-M5	R85	2:X2	
C61	1:Q6	1-K0	D43	1:G2	1-H9	R18	1:F12	1-L5	R86	1:T4	1-N7
C62	1:Q6	1-K0			1-H9	*R19	1:D12	1-M5	R87	1:T4	1-P6
C63	1:H7	1-N1	*D46	1V3:	1-P8	R20	1:D12	1-M4	R88	1:S5	1-P6
C65	1:G5	1-K8	*FAN	1:Z8	1-J1	R24	1:D8	1-K4	R89	1:T4	1-Q6
C66	1:H3	1-H8	*F1	1:W10	1-B6	RV25	1:F8	1-K4	R90	1:S4	1-P6
C67	1:F3	1-J8	HS	1:P7		R26	1:E8	1-K3	R91	1:N4	1-N5
*C68	1:N2	1-L8	IC1	1:G8	1-M4	R27	1:G6	1-L4	RV92	1:S5	1-Q5
*C69	1:P2	1-L8			1-Q3	R28	1:G6	1-L4	R93	1:T5	1-Q5
*C70	1:Q2	1-M8			1-Q2	R29	1:H6	1-L3	R94	1:P5	1-Q5
*C71	1:N3	1-M8	IC2	1:P7	1-D3	R30	1:G7	1-M4	R95	1:N5	1-Q4
*C72	1:P3	1-M8	IC3	1:U5	1-G2	R32	1:G6	1-M4	R96	1:N5	1-R5
*C73	1:Q3	1-N8			1-G0	R33	1:G7	1-M3	R98	1:W4	1-P7

<u>Device</u>	<u>PCB</u>	<u>Circuit</u>	<u>Device</u>	<u>PCB</u>	<u>Circuit</u>	<u>Device</u>	<u>PCB</u>	<u>Circuit</u>	<u>Device</u>	<u>PCB</u>	<u>Circuit</u>
R99	1:W4	1-P7									
RLY1	1:V8	1-J9									
		1-F6									
SW1	1:N12	1-E5									
		1-A3									
SW2	1:C9	1-J3									
SK-1		1-E0									
		1-E3									
SK-2		1-H0									
SK-3	1:X10	1-A4									
SK-4	1:X2	1-R9									
SK-5	1:X3	1-R8									
SK-6	1:Y3	1-R6									
SK-7	1:Y3	1-R6									
SK-8	1:Y4	1-R7									
T1	1:C5	1-J6									
T2	1:B8	1-J5									
T3	1:F10	1-M4									
T4	1:S8	1-B2									
*T5	1:K3	1-K8									
T6	1:T3	1-P8									
TAB-1	1:Y8	1-A7									
TC1		1-E3									
TP1	1:N7	1-G6									
TP2	1:G10	1-G5									
TP3	1:D8	1-J4									
TP4	1:L7	1-B0									
		1-C1									
TP5	1:C9	1-E3									
TP6	1:K7	1-P1									
TP7	1:J7	1-P1									



T807/808 PCB Layout
Bottom Side
220-01183-03



T807/808 Circuit Diagram 220-01183-03

T807/808 Noise Modulator Parts List (IPN 220-01268-00)

How To Use This Parts List

The components listed in this parts list are divided into two main types: those with a circuit reference (e.g. C2, D1, R121, etc) and those without (miscellaneous and mechanical).

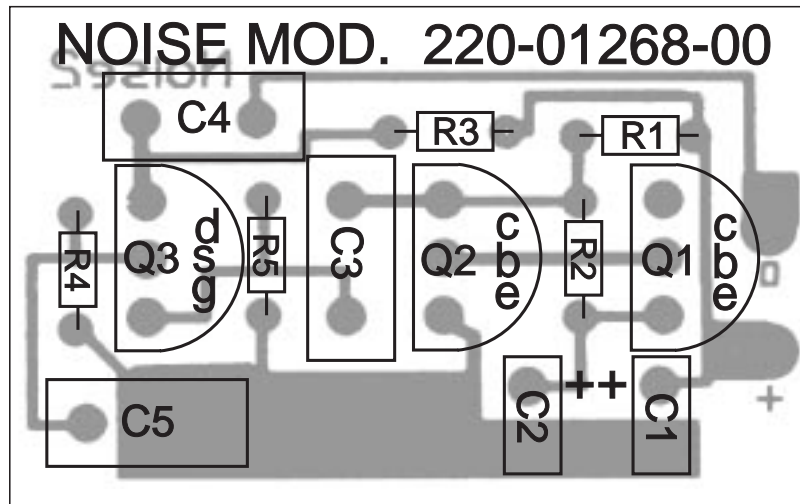
Those with a circuit reference are grouped by component type in numerical order. Each component entry comprises three or four columns: the circuit reference, variant number (if applicable), IPN and description. A number in the variant column indicates that this component is fitted only to that variant.

The miscellaneous and mechanical section lists the variant and common parts in IPN order.

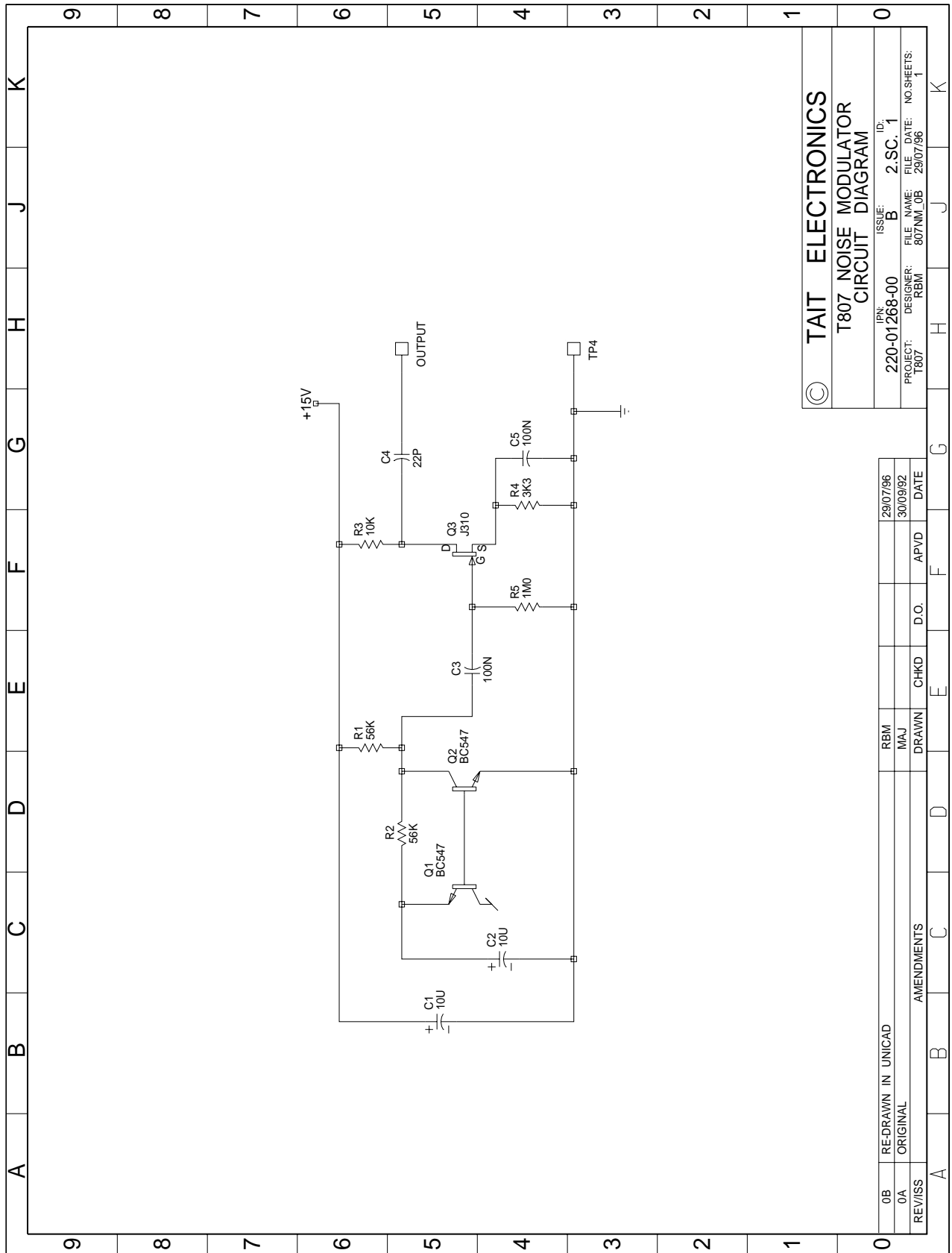
Parts List Amendments

There were no amendments to the parts list at the time of publication.

Ref	Var	IPN	Description	Ref	Var	IPN	Description
C1		025-08100-02	CAP TANT BEAD 10M 10% 16V				
C2		025-08100-02	CAP TANT BEAD 10M 10% 16V				
C3		022-06100-01	CAP MYLAR 100N10% 50V				
C4		011-52220-01	CAP CER AI 22P5% N15050/63V				
C5		022-06100-01	CAP MYLAR 100N10% 50V				
Q1		000-50011-10	(S) XSTR AI BC547B NPNT0-92 AF S/SIG				
Q2		000-50011-10	(S) XSTR AI BC547B NPNT0-92 AF S/SIG				
Q3		000-00033-10	(S) XSTR J310 JFET TO-92 UHF 2.5MM L/S				
R1		030-55560-20	RES FILM AI 56K 5% 0.4W 4X1.6MM				
R2		030-55560-20	RES FILM AI 56K 5% 0.4W 4X1.6MM				
R3		030-55100-20	RES FILM AI 10K 5% 0.4W 4X1.6MM				
R4		030-54330-20	RES FILM AI 3K3 5% 0.4W 4X1.6MM				
R5		030-57100-20	RES FILM AI 1M5% 0.4W4X1.6MM				
		200-00010-04	WIRE T/C 0.7MM (2 x 30mm lengths)				
		201-00060-04	WIRE REMIT 0.8MM2 PVC YELLOW				
		201-00060-09	WIRE REMIT 0.8MM2 PVC WHITE				
		220-01268-00	PCB T807/808 NOISE MODULATOR				
		369-00020-36	TAPE VINYL FOAM 2 SIDES/A 25.4*3MM 3M4408				



T807/808 Noise Modulator PCB (IPN 220-01268-00) - Top Side Encoding Overlaid On Bottom Side Copper



© TAIT ELECTRONICS
T807 NOISE MODULATOR
CIRCUIT DIAGRAM

IPN: 220-01268-00 ISSUE: B 2.S.C. 1
PROJECT: T807 DESIGNER: RBM FILE NAME: 807NM_JOB DATE: 29/07/96
REV: 1 NO. SHEETS: 1

REV/ISS	AMENDMENTS	CHKD	D.O.	APVD	DATE
0B	RE-DRAWN IN UNICAD				29/07/96
0A	ORIGINAL				30/09/92

T807/808 Noise Modulator PCB (IPN 220-01268-00) - Circuit Diagram

T807 Parts List (IPN 220-01183-05)

How To Use This Parts List

The components listed in this parts list are divided into two main types: those with a circuit reference (e.g. C2, D1, R121, etc) and those without (miscellaneous and mechanical).

Those with a circuit reference are grouped by component type in numerical order. Each component entry comprises three or four columns: the circuit reference, variant number (if applicable), IPN and description. A number in the variant column indicates that this component is fitted only to that variant.

The miscellaneous and mechanical section lists the parts in IPN order and where possible the legend indicates their position on the exploded view.

Parts List Amendments

C1 & C2 Changed from 2.2n (010-04220-09) to 4.7n to meet European Type Approval (95/09-7077).
 C3 & C4 Changed from 470n (022-06470-04) to 680n to meet European Type Approval (95/09-7077).
 C5 & C6 Changed from 2.2n (012-04220-06) to 4.7n to meet European Type Approval (95/09-7077).
 C5A & C6A 4.7n added in parallel with C5 & C6 respectively to meet European Type Approval (95/09-7077).
 L1 & L1A Added in place of L1 (065-00010-20) to meet European Type Approval (95/09-7077).
 C19 10n (022-55100-10) deleted from circuit to increase stability of short circuit test (95/08-7024).
 C100 10n added to underside of PCB to increase stability of short circuit test (95/08-7024).
 C101 100p added to underside of PCB to increase stability of short circuit test (95/08-7024).
 PL-2 Deleted from Parts List. Only fitted to T808-10 (95/11-7106).

Important mechanical assembly changes to this issue are as follows:

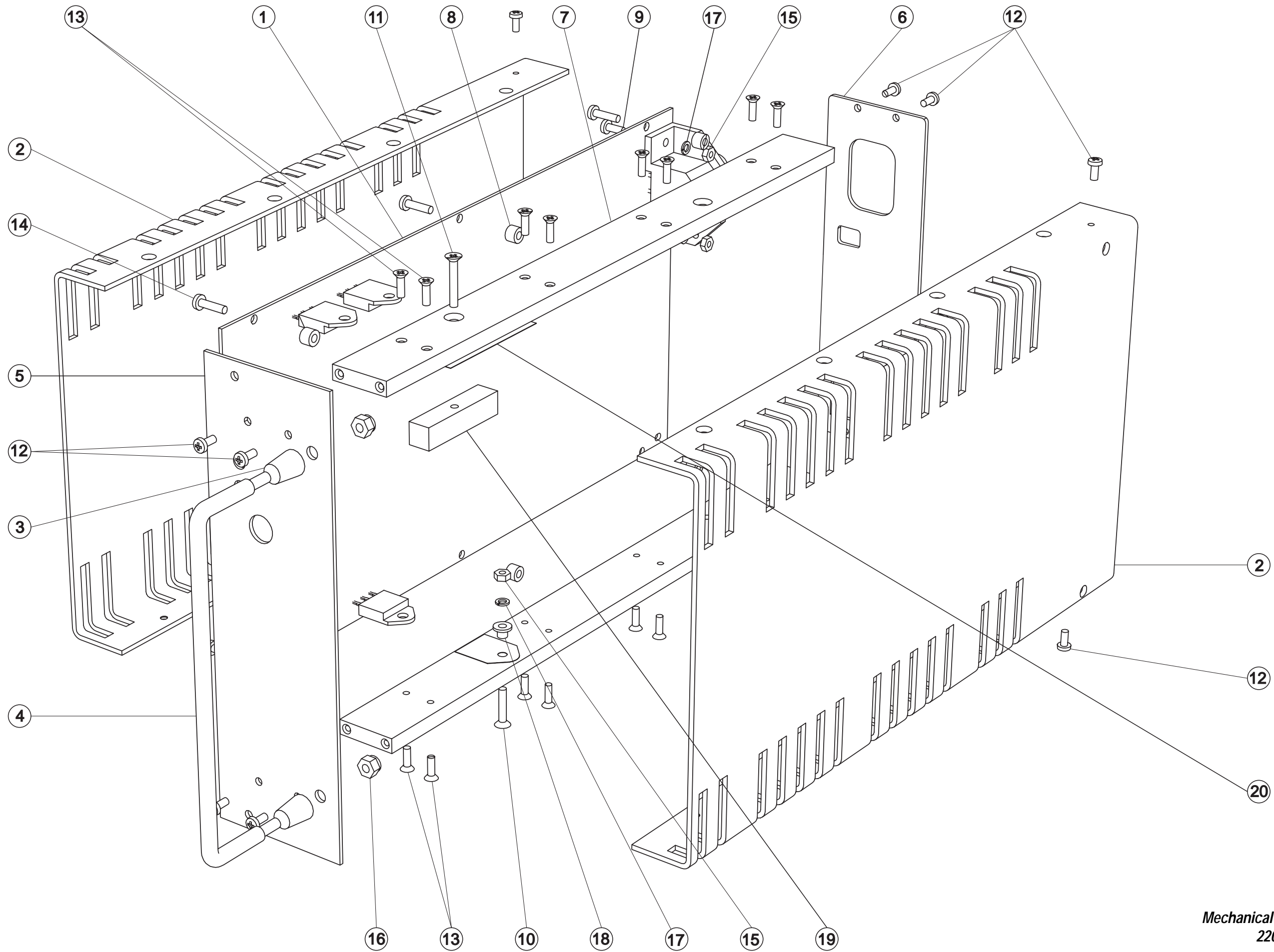
Rear Panel Changed from 316-21177-02 to -03. Change temperature rating from $T_a=60^{\circ}\text{C}$ to $T_a=40^{\circ}\text{C}$ (96/05-7070).

Ref	Var	IPN	Description	Ref	Var	IPN	Description
*C1		010-04470-09	CAP CERAMIC 4N7 +-20% 250VAC APPROVED	C57		025-08100-04	(L) CAP 10M 35V 10% TANT 2.5MM L/S
*C2		010-04470-09	CAP CERAMIC 4N7 +-20% 250VAC APPROVED	C59		011-54100-01	CAP CER AI 1N 10% T/C B 63V
*C3		022-06680-04	CAP MYLAR 680N +- 20% 250VAC APPROVED	C60		017-15470-01	CAP CER SURFACE BARRIER 47N 20% 50V
*C4		022-06680-04	CAP MYLAR 680N +- 20% 250VAC APPROVED	C61		025-08100-04	(L) CAP 10M 35V 10% TANT 2.5MM L/S
*C5		010-04470-09	CAP CERAMIC 4N7 +-20% 250VAC APPROVED	C62		019-05470-00	CAP MONOLITHIC CER 47N 10% 50V X7R
*C5A		010-04470-09	CAP CERAMIC 4N7 +-20% 250VAC APPROVED	C63		022-57100-02	CAP MYLAR AI 1M 20% 50V POTTED
*C6		010-04470-09	CAP CERAMIC 4N7 +-20% 250VAC APPROVED	C65		020-09470-07	CAP 470M 16V 20% ELEC VERT 8*20 3.5MM L/S LO-ESR
*C6A		010-04470-09	CAP CERAMIC 4N7 +-20% 250VAC APPROVED	C66		024-14470-01	CAP METAL POLYPR RADL 4N7 10% 400VAC
*C9		021-09390-00	CAP 390UF ELECT 200V 105D 25DIA X40 10MMLS	C67		024-14470-01	CAP METAL POLYPR RADL 4N7 10% 400VAC
*C10		021-09390-00	CAP 390UF ELECT 200V 105D 25DIA X40 10MMLS	*C68		020-19220-02	CAP ELECT RAD 2200M 16V 12.5X30MM LO ESR
*C11		021-09390-00	CAP 390UF ELECT 200V 105D 25DIA X40 10MMLS	*C69		020-19220-02	CAP ELECT RAD 2200M 16V 12.5X30MM LO ESR
*C12		021-09390-00	CAP 390UF ELECT 200V 105D 25DIA X40 10MMLS	*C70		020-19220-02	CAP ELECT RAD 2200M 16V 12.5X30MM LO ESR
*C13		024-06680-08	CAP POLYPR AXIAL 680N 20% 250VDC	*C71		020-19220-02	CAP ELECT RAD 2200M 16V 12.5X30MM LO ESR
*C14		024-06680-08	CAP POLYPR AXIAL 680N 20% 250VDC	*C72		020-19220-02	CAP ELECT RAD 2200M 16V 12.5X30MM LO ESR
*C15		010-03220-03	CAP CER 220P 10% T/C B 6KV	*C73		020-19220-02	CAP ELECT RAD 2200M 16V 12.5X30MM LO ESR
C16		025-07100-01	CAP TANT BEAD 1M 35V	C74		010-04220-09	CAP CER 2N2 10% 250VAC APPROVED
C17		011-53470-02	CAP CER AI 470P 10% T/C B 63V	C75		010-04220-09	CAP CER 2N2 10% 250VAC APPROVED
C18		011-03680-01	CAP CER 680P 10% N1K5 50/63V	C78		020-09820-01	CAP 820M 16V ELECT 10X25MM
C20		010-04100-04	CAP CER 1N 10% T/C B 400V	C79		019-05470-00	CAP MONOLITHIC CER 47N 10% 50V X7R
C21		022-55470-10	CAP MYLAR AI 47N 5% 63V POTTED	C80		010-04100-04	CAP CER 1N 10% T/C B 400V
C22		022-55470-10	CAP MYLAR AI 47N 5% 63V POTTED	C81		010-04100-04	CAP CER 1N 10% T/C B 400V
C23		020-08470-07	CAP ELECT RADL 47M 16V 8X11.5MM HI TEMP	C82		010-04100-04	CAP CER 1N 10% T/C B 400V
C24		020-07100-04	CAP ELECT RADL 1M 63V 8X12MM HI TEMP	C84		019-05470-00	CAP MONOLITHIC CER 47N 10% 50V X7R
C25		025-08100-04	(L) CAP 10M 35V 10% TANT 2.5MM L/S	C85		011-52330-01	CAP CER AI 33P 5% N150 50/63V
C26		011-54100-01	CAP CER AI 1N 10% T/C B 63V	C86		022-54100-10	CAP MYLAR AI 1N 5% 63V POTTED
C27		011-54100-01	CAP CER AI 1N 10% T/C B 63V	C87		022-54220-10	CAP MYLAR AI 2N2 5% 63V POTTED
C31		011-54100-01	CAP CER AI 1N 10% T/C B 63V	C88		022-55470-10	CAP MYLAR AI 47N 5% 63V POTTED
C32		011-54100-01	CAP CER AI 1N 10% T/C B 63V	C89		011-52220-01	CAP CER AI 22P 5% N150 50/63V
C33		019-05470-00	CAP MONOLITHIC CER 47N 10% 50V X7R	C90		010-04100-04	CAP CER 1N 10% T/C B 400V
C34		025-08100-04	(L) CAP 10M 35V 10% TANT 2.5MM L/S	C91		010-04100-04	CAP CER 1N 10% T/C B 400V
C35		011-54100-01	CAP CER AI 1N 10% T/C B 63V	C95		011-54100-01	CAP CER AI 1N 10% T/C B 63V
C37		020-19220-04	CAP 2200M ELEC 35V 16X35 L ESR	C96		022-56100-10	CAP MYLAR AI 100N 5% 63V POTTED
C38		019-05470-00	CAP MONOLITHIC CER 47N 10% 50V X7R	C98		025-08100-04	(L) CAP 10M 35V 10% TANT 2.5MM L/S
C39		019-05470-00	CAP MONOLITHIC CER 47N 10% 50V X7R	C99		011-52220-01	CAP CER AI 22P 5% N150 50/63V
C42		011-54100-01	CAP CER AI 1N 10% T/C B 63V	C100		019-55100-01	CAP MONOLITHIC AI 10N 5% COG 50V
C43		011-54100-01	CAP CER AI 1N 10% T/C B 63V	C101		011-03100-06	CAP CER 100P 5% N750 50/63V
C44		025-07100-01	CAP TANT BEAD 1M 35V	D1		001-00012-30	(S) DIODE 6A6 MR 756 BY214-600 6A/600V
C45		011-54100-01	CAP CER AI 1N 10% T/C B 63V	D2		001-00012-30	(S) DIODE 6A6 MR 756 BY214-600 6A/600V
C46		011-54100-01	CAP CER AI 1N 10% T/C B 63V	D3		001-00012-30	(S) DIODE 6A6 MR 756 BY214-600 6A/600V
C49		019-05470-00	CAP MONOLITHIC CER 47N 10% 50V X7R	D4		001-00012-30	(S) DIODE 6A6 MR 756 BY214-600 6A/600V
C50		025-08100-04	(L) CAP 10M 35V 10% TANT 2.5MM L/S	D5		001-50012-05	(S) DIODE AI 1N4531 SI SMALL SIG
C51		010-04100-04	CAP CER 1N 10% T/C B 400V	D6		001-50012-05	(S) DIODE AI 1N4531 SI SMALL SIG
C54		011-54100-01	CAP CER AI 1N 10% T/C B 63V	D7		001-50012-05	(S) DIODE AI 1N4531 SI SMALL SIG
C55		019-05470-00	CAP MONOLITHIC CER 47N 10% 50V X7R				
C56		025-08100-04	(L) CAP 10M 35V 10% TANT 2.5MM L/S				

Ref	Var	IPN	Description	Ref	Var	IPN	Description
D8		001-50012-05	(S) DIODE AI 1N4531 SI SMALL SIG	R39		030-54390-20	RES FILM AI 3K9 5% 0.4W 4X1.6MM
D11		001-50012-05	(S) DIODE AI 1N4531 SI SMALL SIG	R40		030-54820-20	RES FILM AI 8K2 5% 0.4W 4X1.6MM
D12		001-50012-05	(S) DIODE AI 1N4531 SI SMALL SIG	R41		030-54680-20	RES FILM AI 6K8 5% 0.4W 4X1.6MM
D13		008-00014-73	(S) LED HLMP5050 GREEN RT ANGLE PCB MTG	R43		030-55470-20	RES FILM AI 47K 5% 0.4W 4X1.6MM
D14		001-00012-23	(S) DIODE BYV26C 1A/400V FAST SWITCH	R44		030-55100-20	RES FILM AI 10K 5% 0.4W 4X1.6MM
*D15		001-00012-27	(S) DIODE BYV28-200 3.5A/200V FAST SWITCH	R45		030-56100-20	RES FILM AI 100K 5% 0.4W 4X1.6MM
*D18		001-00012-27	(S) DIODE BYV28-200 3.5A/200V FAST SWITCH	R46		030-55100-20	RES FILM AI 10K 5% 0.4W 4X1.6MM
D19		001-00012-23	(S) DIODE BYV26C 1A/400V FAST SWITCH	R47		030-52220-20	RES FILM AI 22E 5% 0.4W 4X1.6MM
D20		001-50012-05	(S) DIODE AI 1N4531 SI SMALL SIG	R48		030-55150-20	RES FILM AI 15K 5% 0.4W 4X1.6MM
D21		001-50012-05	(S) DIODE AI 1N4531 SI SMALL SIG	R49		049-00140-10	VARISTOR 140VRMS 180VDC 42 JOULES
D22		001-00013-40	(S) DIODE SCHOTTKY BAT85 0.2A/30V	R50		030-54220-20	RES FILM AI 2K2 5% 0.4W 4X1.6MM
D23		008-00014-74	(S) LED HLMP5030 RED RT ANGLE PCB MTG	R51		030-55100-20	RES FILM AI 10K 5% 0.4W 4X1.6MM
D24		001-00011-70	(S) DIODE 1N4001 1A/50V	R52		030-56180-20	RES FILM AI 180K 5% 0.4W 4X1.6MM
D25		001-00011-70	(S) DIODE 1N4001 1A/50V	R53		030-55330-20	RES FILM AI 33K 5% 0.4W 4X1.6MM
D26		001-00011-70	(S) DIODE 1N4001 1A/50V	R54B		030-55330-20	RES FILM AI 33K 5% 0.4W 4X1.6MM
D27		001-00011-70	(S) DIODE 1N4001 1A/50V	R55		045-05100-01	RES NTC 10K 5% 5MM DISC
D30		001-00011-70	(S) DIODE 1N4001 1A/50V	R56		030-55100-20	RES FILM AI 10K 5% 0.4W 4X1.6MM
D31		001-00015-19	(S) DIODE ZENER 5V6 0.4W 2% BZX79/B5V6	R57		030-55270-20	RES FILM AI 27K 5% 0.4W 4X1.6MM
D32		008-00014-74	(S) LED HLMP5030 RED RT ANGLE PCB MTG	R58		030-55100-20	RES FILM AI 10K 5% 0.4W 4X1.6MM
D36		001-50012-05	(S) DIODE AI 1N4531 SI SMALL SIG	R59		030-57100-20	RES FILM AI 1M 5% 0.4W 4X1.6MM
D37		001-50012-05	(S) DIODE AI 1N4531 SI SMALL SIG	R60		030-55100-20	RES FILM AI 10K 5% 0.4W 4X1.6MM
D38		001-50012-05	(S) DIODE AI 1N4531 SI SMALL SIG	R61		030-57100-20	RES FILM AI 1M 5% 0.4W 4X1.6MM
D41		001-50012-05	(S) DIODE AI 1N4531 SI SMALL SIG	R62		030-54680-20	RES FILM AI 6K8 5% 0.4W 4X1.6MM
D43		001-00011-45	(S) DIODE DUAL 30A/90V 30CPQ90	R63		030-52330-20	RES FILM AI 33E 5% 0.4W 4X1.6MM
*F1		265-00010-51	FUSE 5.0A 250V SLOW BLOW 5X20	R64		030-52220-20	RES FILM AI 22E 5% 0.4W 4X1.6MM
FC1		340-00010-07	FUSE CLIP PCB MTG 5MM FUSE	R65		030-54150-20	RES FILM AI 1K5 5% 0.4W 4X1.6MM
FC2		340-00010-07	FUSE CLIP PCB MTG 5MM FUSE	R66		030-54150-20	RES FILM AI 1K5 5% 0.4W 4X1.6MM
IC1		002-00012-40	(S) IC 358 DUAL OP AMP	R67		030-55100-20	RES FILM AI 10K 5% 0.4W 4X1.6MM
IC2		002-00010-81	(S) IC 7815 +15V 1AMP TO -220 3PIN	R68		030-56100-20	RES FILM AI 100K 5% 0.4W 4X1.6MM
IC3		002-00012-40	(S) IC 358 DUAL OP AMP	R69		030-53680-20	RES FILM AI 680E 5% 0.4W 4X1.6MM
IC4		002-00016-61	(S) IC 3525A SMPS CTRL	R70		030-53270-20	RES FILM AI 270E 5% 0.4W 4X1.6MM
IC5		002-00010-75	(S) IC TSC426 DRIVER INVERTING MOSFET 8PIN	R71		030-54330-20	RES FILM AI 3K3 5% 0.4W 4X1.6MM
IC6		002-00010-75	(S) IC TSC426 DRIVER INVERTING MOSFET 8PIN	R72		030-52100-20	RES FILM AI 10E 5% 0.4W 4X1.6MM
IC7		002-00020-58	(S) IC CNX62A OPTOCOUPLER 250VAC APPRVD	R73		030-55100-20	RES FILM AI 10K 5% 0.4W 4X1.6MM
IC8		002-00014-15	(S) IC TL431 SHUNT REG TO-92	R74		030-54470-20	RES FILM AI 4K7 5% 0.4W 4X1.6MM
*L1		056-00010-50	CHOKE 16UH +20% DIFF MODE	R75		030-54470-20	RES FILM AI 4K7 5% 0.4W 4X1.6MM
*L1A		056-00010-50	CHOKE 16UH +20% DIFF MODE	R76		030-54680-20	RES FILM AI 6K8 5% 0.4W 4X1.6MM
L2		056-00010-36	CHOKE FLTR 0.5MH COMM MODE	R79A		032-32100-01	RES M/F PWR 10E 2.5W 17X5MM
L3		056-00021-20	IND FXD 2MH 5AMP TOROIDAL	R79B		032-32100-01	RES M/F PWR 10E 2.5W 17X5MM
L4		065-00010-11	BEAD FERRITE 4S3 3*1*4MM RED	R80		030-54100-20	RES FILM AI 1K 5% 0.4W 4X1.6MM
L5		065-00010-11	BEAD FERRITE 4S3 3*1*4MM RED	R80A		030-52100-20	RES FILM AI 10E 5% 0.4W 4X1.6MM
L6		065-00010-20	BEAD FERRITE BALUN 4B1 PHILIPS	R80B		030-54180-20	RES FILM AI 1K8 5% 0.4W 4X1.6MM
L7		065-00010-11	BEAD FERRITE 4S3 3*1*4MM RED	*R81		032-33150-01	RES M/F PWR 150E 5% 2.5W 17X5MM
L8		065-00010-11	BEAD FERRITE 4S3 3*1*4MM RED	RV81		042-05100-06	RES PRESET 10K CARBON 6MM FLAT
Note: Fit L4 & L5 On Leads Of C20 Fit L7 & L8 On Leads Of C51				*R82		032-33150-01	RES M/F PWR 150E 5% 2.5W 17X5MM
*Q1		000-00012-63	(S) XSTR MTP4N50 PWR MOSFET 500V TO220	R83		030-52220-20	RES FILM AI 22E 5% 0.4W 4X1.6MM
*Q2		000-00012-63	(S) XSTR MTP4N50 PWR MOSFET 500V TO220	R84		030-52220-20	RES FILM AI 22E 5% 0.4W 4X1.6MM
Q3		000-50011-30	(S) XSTR AI BC557B PNP TO-92 AF S/SIG	R85		030-08100-31	RES M/F 10M 3.5KV VR37 10*4MM
Q4		000-50011-10	(S) XSTR AI BC547B NPN TO-92 AF S/SIG	R86		030-55470-20	RES FILM AI 47K 5% 0.4W 4X1.6MM
Q6		000-00010-66	(S) XSTR BC337 NPN AF PWR TO92	R87		030-53100-20	RES FILM AI 100E 5% 0.4W 4X1.6MM
Q7		000-50011-30	(S) XSTR AI BC557B PNP TO-92 AF S/SIG	R88		030-54100-20	RES FILM AI 1K 5% 0.4W 4X1.6MM
Q8		000-50011-30	(S) XSTR AI BC557B PNP TO-92 AF S/SIG	R89		030-54470-20	RES FILM AI 4K7 5% 0.4W 4X1.6MM
Q9		000-00010-66	(S) XSTR BC337 NPN AF PWR TO92	R90		030-55470-20	RES FILM AI 47K 5% 0.4W 4X1.6MM
Q10		000-50011-10	(S) XSTR AI BC547B NPN TO-92 AF S/SIG	R91		030-54100-20	RES FILM AI 1K 5% 0.4W 4X1.6MM
Q11		000-50011-10	(S) XSTR AI BC547B NPN TO-92 AF S/SIG	RV92		042-03470-06	RES PRESET 470E CARBON 6MM FLAT
Q12		000-50011-10	(S) XSTR AI BC547B NPN TO-92 AF S/SIG	R93		030-53820-20	RES FILM AI 820E 5% 0.4W 4X1.6MM
Q13		000-50011-10	(S) XSTR AI BC547B NPN TO-92 AF S/SIG	R94		030-54120-20	RES FILM AI 1K2 5% 0.4W 4X1.6MM
R1		030-08100-31	RES M/F 10M 3.5KV VR37 10*4MM	R95		030-55680-20	RES FILM AI 68K 5% 0.4W 4X1.6MM
R1		030-08100-31	RES M/F 10M 3.5KV VR37 10*4MM	R96		030-54680-20	RES FILM AI 68K 5% 0.4W 4X1.6MM
R2		049-00275-40	VARISTOR 275V AC 140JOULES 20MM DIA.	R98		030-55100-20	RES FILM AI 10K 5% 0.4W 4X1.6MM
R3		035-02100-93	RES WIRE WOUND 10E 5W 19X8MM	R99		030-54100-20	RES FILM AI 1K 5% 0.4W 4X1.6MM
R4		032-35470-00	RES M/F PWR 47K 5% 1W 12X4.5MM	R100		030-55560-20	RES FILM AI 56K 5% 0.4W 4X1.6MM
R5		030-56270-20	RES FILM AI 270K 5% 0.4W 4X1.6MM	R101		030-55560-20	RES FILM AI 56K 5% 0.4W 4X1.6MM
R6		030-56390-20	RES FILM AI 390K 5% 0.4W 4X1.6MM	R102		030-56470-20	RES FILM AI 470K 5% 0.4W 4X1.6MM
R7		032-35470-00	RES M/F PWR 47K 5% 1W 12X4.5MM	R103		030-55560-20	RES FILM AI 56K 5% 0.4W 4X1.6MM
R8		030-55680-20	RES FILM AI 68K 5% 0.4W 4X1.6MM	R104		030-55100-20	RES FILM AI 10K 5% 0.4W 4X1.6MM
R9		030-55470-20	RES FILM AI 47K 5% 0.4W 4X1.6MM	R105		030-54100-20	RES FILM AI 1K 5% 0.4W 4X1.6MM
R11		032-33100-02	RES M/F PWR 100E 5% 6W 33X9MM	RLY1		237-00010-30	RELAY 12V COIL 240V 10A SPDT
*R12		030-53180-20	RES FILM AI 180E 5% 0.4W 4X1.6MM	SW1		233-00010-07	SWITCH DPDT 115/230V 6PIN
R13A		030-52680-20	RES FILM AI 68E 5% 0.4W 4X1.6MM	SW2		232-00020-28	PUSH SWITCH PCB MTG
R13B		030-54150-20	RES FILM AI 1K5 5% 0.4W 4X1.6MM	SK-3		240-00010-23	PLUG 3 PIN 10AMP 250V PCB MTG
R14		030-54150-20	RES FILM AI 1K5 5% 0.4W 4X1.6MM	SK-4		240-04030-06	TRMNL BLOCK 1WAY PC MT PHOENIX
*R17		030-52220-20	RES FILM AI 22E 5% 0.4W 4X1.6MM	SK-5		240-04030-06	TRMNL BLOCK 1WAY PC MT PHOENIX
R18		030-54120-20	RES FILM AI 1K2 5% 0.4W 4X1.6MM	SK-6		240-04030-07	TERML BLK PCB MTG 1WAY FRT 2.5H/SA10
*R19		030-52220-20	RES FILM AI 22E 5% 0.4W 4X1.6MM	SK-7		240-04030-07	TERML BLK PCB MTG 1WAY FRT 2.5H/SA10
R20		030-54120-20	RES FILM AI 1K2 5% 0.4W 4X1.6MM	SK-8		240-04030-07	TERML BLK PCB MTG 1WAY FRT 2.5H/SA10
R24		030-54120-20	RES FILM AI 1K2 5% 0.4W 4X1.6MM	T1		053-00010-58	XFMR T4073 T807/808 SWITCHING
RV25		042-03470-06	RES PRESET 470E CARBON 6MM FLAT	T2		053-00010-59	XFMR T4074 T807/808 CURRENT SENSE
R26		030-53680-20	RES FILM AI 680E 5% 0.4W 4X1.6MM	T3		053-01060-02	XFMR T4075 T807/808 MOSFET DRIVE
R27		030-54180-20	RES FILM AI 1K8 5% 0.4W 4X1.6MM	T4		053-00010-63	XFMR T4079 MAINS 5VA 18V
R28		030-53820-20	RES FILM AI 820E 5% 0.4W 4X1.6MM	*T5		056-00010-39	CHOKE T4072 T807 DIFFNL MODE ETD39
R29		030-54270-20	RES FILM AI 2K7 5% 0.4W 4X1.6MM	T6		056-00010-38	CHOKE T4071 T807-808 DIFFNL MODE
R30		030-55100-20	RES FILM AI 10K 5% 0.4W 4X1.6MM	TC1		239-00010-06	SW THERM PEPI 100C BARE TERML C/W SLEEVE
R32		030-56100-20	RES FILM AI 100K 5% 0.4W 4X1.6MM				
R33		030-54100-20	RES FILM AI 1K 5% 0.4W 4X1.6MM				
R34		030-55100-20	RES FILM AI 10K 5% 0.4W 4X1.6MM				
R35		030-55100-20	RES FILM AI 10K 5% 0.4W 4X1.6MM				
R36		030-55150-20	RES FILM AI 15K 5% 0.4W 4X1.6MM				
R37		030-57100-20	RES FILM AI 1M 5% 0.4W 4X1.6MM				
R38		030-55100-20	RES FILM AI 10K 5% 0.4W 4X1.6MM				

T807 Mechanical & Miscellaneous Parts (220-01183-05)

IPN	Legend	Description	IPN	Legend	Description
200-00010-35		WIRE T/C 1.5MM ² /1.4MM For L6. 35mm	353-00010-12	17	WASHER M3 SPRING BZ OR Z/C D43 x1, Mains Socket x2, IC2 x1
201-00051-15		WIRE APPLC 1MM ² GREEN HI TEMP PVC85 For Earth Lead	356-00020-06		RECEPTL 6.3MM QUICK CONN FLARED INS For Earth Lead
201-00060-09		WIRE REMIT 0.8MM ² PVC WHITE For Cut Out Switch on T1	356-00020-07		RECEPTL M3.5QUICK CONN M3.5 OPEN END For Earth Lead
209-00010-26		TAPE COPPER 19MM * 0.08MM SCOTCH 1181 For taping switch to T1	356-00020-21		TAB 6.3MM RT ANGLE SPADE CAR QCK CONN PCB Mounted Earth Connector
220-01183-05	1	PCB T807/T808 SMPS 2 OUNCE COPPER	362-00010-13	18	BUSH INSULATING 1.1MM TOP HAT D43 Mounting x1
240-02010-22		SKT MAINS 3PIN FLEX 2M/10A	362-01024-00	19	INSULATOR 54*30 AS PER DRWG A4M2431 Q1/Q2 x1, D43 x1
240-06010-27		BLANKING PLATE 2.5MM GREEN Fitted to SK-8	362-01052-00	20	XSTR CLAMPING BRKT T807/808 A4M2407 Bracing bracket for Q1 & Q2 x1
303-23128-01	2	COVR SIDE A2M2403/2 T807/808 COMP SCRNM	365-00011-54		LABEL WHITE RW 1556/2 90X24MM SPEC AD For outside of box
306-01010-00	3	FERRULE A4M948 HANDLE FXD EQUIP Place on handle x2	365-00013-59		LABEL T807/808 HI VOLT WARNING A4A651
307-02029-00		GUIDE REAR T807/808 A3M2409 Packed in box x2	365-00100-05		LABEL BLANK 50X9MM S/A METLSD POLYES Mounting Kit x1 (in bag) NB/ Label is to be placed over top of screened version on panel if power supply is to be 115 Volts
308-01007-00	4	HANDLE A4M949 FXD EQUIP Front Panel	365-01391-01		LABEL BLNK 30X10.8MM TAMPERMARK VOID Ser No x1, Job No x1, Rev No x1 & Elec Insp x1
308-13088-00		HSINK CLIP ON 14 OR 16 DIP INT CCTS ICs 4, 5 & 6	*365-01500-00		LABEL CE CONFORMITY 12*24MM Placed on outside of box
308-13091-00		HSINK PCB MTG TO-220 Heatsink for IC2 mounting to PCB	399-00010-10		RUBBER BAND NO 33
311-00010-39		KNOB RED PLASTIC ROUND Pushes on to SW2	399-00010-51		BAG PLASTIC 75*100MM For Mounting Kit
316-06398-01	5	PNL FRT COMPL T807 A3M2405/2	400-00020-01		SLEEING 0.7MM SIL RUBBER For Legs of R13A, R47 & R64
316-21177-03	6	PNL REAR A3M2427/2 T807 COMPL SCRNM	400-00020-03		SLEEING 1MM SIL RUBBER For Legs of R3, R11, 79A, R79B, R81 & R82
318-01018-00	7	RAIL CHASSIS T807/808 A3M2404 Attached to PCB x2	400-00020-05		SLEEING 1.5MM SIL RUBBER
*319-01189-00		SHIELD, T807 MAINS FILTER Fitted to underside of PCB across input	400-00020-07		SLEEING 2MM SIL RUBBER Goes over wire on L6.
319-30030-01	8	SPACER A4M1115 T807/808 Between P.C.B. & Rails x6	410-01081-00		CRTN T800 KIWI REF22860 402X192X66MM
345-00040-06	9	SCREW M3*8MM PAN POZI ST BZ SK-3 x2, Mounting Kit x2 (in bag)	410-01082-00		CRTN 10 T800 KIWI REF24417 423X410X360
345-00040-12		SCREW M3X10MM CSK POZI ST BZ Mounting Kit x6 (in bag)			
345-00040-17	10	SCREW M3*16MM CSK POZI ST BZ D43 x1			
345-00040-24	11	SCREW M3X20MM CSK POZI ST BZ Q1/Q2 Bracing Bracket x2			
349-00020-07	12	SCREW 4-40 X 5/16 PAN POZI TAPTITE BLACK Front x4, Rear x4, Cover x4			
349-00020-08	13	SCREW TAPTITE 4-40X3/8IN CSK POZI BZ Covers to rails x16			
349-00020-34	14	SCREW M3*12 PAN POZI TAPTITE BZ P.C.B. to rails x6			
352-00010-08	15	NUT M3 COLD FORM HEX ST BZ D43 x1, Mains Socket x2, IC2 x1, Mounting Kit x2 (in bag)			
352-00010-29	16	NUT M4 NYLOC HEX Handle x2			
353-00010-10		WASHER M3 FLAT 7MM*0.6MM ST BZ Mounting Kit x2 (in bag)			



T807
Mechanical Assembly
220-01183-05

T808 Parts List (IPN 220-01183-05)

How To Use This Parts List

The components listed in this parts list are divided into two main types: those with a circuit reference (e.g. C2, D1, R121, etc) and those without (miscellaneous and mechanical). Static sensitive devices are prefixed with (S).

Those with a circuit reference are grouped by component type in numerical order. Each component entry comprises three or four columns: the circuit reference, variant number (if applicable), IPN and description. A number in the variant column indicates that this component is fitted only to that variant.

The miscellaneous and mechanical section lists the parts in IPN order and where possible the legend indicates their position on the exploded view.

Parts List Amendments

C19 10n (022-55100-10) deleted from circuit to increase stability of short circuit test (95/08-7024).
 C100 10nF added to underside of PCB to increase stability of short circuit test (95/08-7024).
 C101 100pF added to underside of PCB to increase stability of short circuit test (95/08-7024).
 C104 1nF added to underside of PCB to increase stability of short circuit test (96/01-7003).
 R106 & R107 100E added in series with D20 & D21 to increase stability of short circuit test (96/01-7003).
 L9 & L10 F8 Ferrite Bead fitted over R17 & R19 to increase stability of short circuit test (96/01-7003).

Important mechanical assembly changes to this issue are as follows:

Rear Panel Changed from 316-21176-02 to -03. Change temperature rating from $T_a=60^\circ\text{C}$ to $T_a=40^\circ\text{C}$ (96/05-7070).

Ref	Var	IPN	Description	Ref	Var	IPN	Description
*C1		010-04220-09	CAP CER 2N2 10% 250VAC APPROVED	C66		024-14470-01	CAP METAL POLYPR RADL 4N7 10% 400VAC
*C2		010-04220-09	CAP CER 2N2 10% 250VAC APPROVED	C67		024-14470-01	CAP METAL POLYPR RADL 4N7 10% 400VAC
*C3		022-06470-04	CAP MYLAR 470N 10% 250VAC	*C68		021-19330-02	CAP 3300M 16V ELEC 13*40 VERT
*C4		022-06470-04	CAP MYLAR 470N 10% 250VAC	*C69		021-19330-02	CAP 3300M 16V ELEC 13*40 VERT
*C5		012-04220-06	CAP CER 2N2 3-PIN SUPPR FLTR	*C70		021-19330-02	CAP 3300M 16V ELEC 13*40 VERT
*C6		012-04220-06	CAP CER 2N2 3-PIN SUPPR FLTR	*C71		021-19330-02	CAP 3300M 16V ELEC 13*40 VERT
*C9		021-09560-00	CAP 560UF ELECT 200V 105D 25DIA X40 10MML/S	*C72		021-19330-02	CAP 3300M 16V ELEC 13*40 VERT
*C10		021-09560-00	CAP 560UF ELECT 200V 105D 25DIA X40 10MML/S	*C73		021-19330-02	CAP 3300M 16V ELEC 13*40 VERT
*C11		021-09560-00	CAP 560UF ELECT 200V 105D 25DIA X40 10MML/S	C74		010-04220-09	CAP CER 2N2 10% 250VAC APPROVED
*C12		021-09560-00	CAP 560UF ELECT 200V 105D 25DIA X40 10MML/S	C75		010-04220-09	CAP CER 2N2 10% 250VAC APPROVED
*C13		024-07100-00	CAP 1M 250VDC 5% POLYPROP.22.5 L/S	C78		020-09820-01	CAP 820M 16V ELECT 10X25MM
*C14		024-07100-00	CAP 1M 250VDC 5% POLYPROP.22.5 L/S	C79		019-05470-00	CAP MONOLITHIC CER 47N 10% 50V X7R
*C15		010-03470-03	CAP 470P T/C B 10% 6KV CER	C80		010-04100-04	CAP CER 1N 10% T/C B 400V
C16		025-07100-01	CAP TANT BEAD 1M 35V	C81		010-04100-04	CAP CER 1N 10% T/C B 400V
C17		011-53470-02	CAP CER AI 470P 10% T/C B 63V	C82		010-04100-04	CAP CER 1N 10% T/C B 400V
C18		011-03680-01	CAP CER 680P 10% N1K5 50/63V	C84		019-05470-00	CAP MONOLITHIC CER 47N 10% 50V X7R
C20		010-04100-04	CAP CER 1N 10% T/C B 400V	C85		011-52330-01	CAP CER AI 33P 5% N150 50/63V
C21		022-55470-10	CAP MYLAR AI 47N 5% 63V POTTED	C86		022-54100-10	CAP MYLAR AI 1N 5% 63V POTTED
C22		022-55470-10	CAP MYLAR AI 47N 5% 63V POTTED	C87		022-54220-10	CAP MYLAR AI 2N2 5% 63V POTTED
C23		020-08470-07	CAP ELECT RADL 47M 16V 8X11.5MM HI TEMP	C88		022-55470-10	CAP MYLAR AI 47N 5% 63V POTTED
C24		020-07100-04	CAP ELECT RADL 1M 63V 8X12MM HI TEMP	C89		011-52220-01	CAP CER AI 22P 5% N150 50/63V
C25		025-08100-04	(L) CAP 10M 35V 10% TANT 2.5MM L/S	C90		010-04100-04	CAP CER 1N 10% T/C B 400V
C26		011-54100-01	CAP CER AI 1N 10% T/C B 63V	C91		010-04100-04	CAP CER 1N 10% T/C B 400V
C27		011-54100-01	CAP CER AI 1N 10% T/C B 63V	C95		011-54100-01	CAP CER AI 1N 10% T/C B 63V
C31		011-54100-01	CAP CER AI 1N 10% T/C B 63V	C96		022-56100-10	CAP MYLAR AI 100N 5% 63V POTTED
C32		011-54100-01	CAP CER AI 1N 10% T/C B 63V	C98		025-08100-04	(L) CAP 10M 35V 10% TANT 2.5MM L/S
C33		019-05470-00	CAP MONOLITHIC CER 47N 10% 50V X7R	C99		011-52220-01	CAP CER AI 22P 5% N150 50/63V
C34		025-08100-04	(L) CAP 10M 35V 10% TANT 2.5MM L/S	C100		019-55100-01	CAP MONOLITHIC AI 10N 5% COG 50V
C35		011-54100-01	CAP CER AI 1N 10% T/C B 63V	C101		011-03100-06	CAP CER 100P 5% N750 50/63V
C37		020-19220-04	CAP 2200M ELEC 35V 16X35 L ESR	*C104		011-04100-02	CAP CER 1N0 2.5MM 10% T/C B 50V
C38		019-05470-00	CAP MONOLITHIC CER 47N 10% 50V X7R	D1		001-00012-30	(S) DIODE 6A6 MR 756 BY214-600 6A/600V
C39		019-05470-00	CAP MONOLITHIC CER 47N 10% 50V X7R	D2		001-00012-30	(S) DIODE 6A6 MR 756 BY214-600 6A/600V
C42		011-54100-01	CAP CER AI 1N 10% T/C B 63V	D3		001-00012-30	(S) DIODE 6A6 MR 756 BY214-600 6A/600V
C43		011-54100-01	CAP CER AI 1N 10% T/C B 63V	D4		001-00012-30	(S) DIODE 6A6 MR 756 BY214-600 6A/600V
C44		025-07100-01	CAP TANT BEAD 1M 35V	D5		001-50012-05	(S) DIODE AI 1N4531 SI SMALL SIG
C45		011-54100-01	CAP CER AI 1N 10% T/C B 63V	D6		001-50012-05	(S) DIODE AI 1N4531 SI SMALL SIG
C46		011-54100-01	CAP CER AI 1N 10% T/C B 63V	D7		001-50012-05	(S) DIODE AI 1N4531 SI SMALL SIG
C49		019-05470-00	CAP MONOLITHIC CER 47N 10% 50V X7R	D8		001-50012-05	(S) DIODE AI 1N4531 SI SMALL SIG
C50		025-08100-04	(L) CAP 10M 35V 10% TANT 2.5MM L/S	D11		001-50012-05	(S) DIODE AI 1N4531 SI SMALL SIG
C51		010-04100-04	CAP CER 1N 10% T/C B 400V	D12		001-50012-05	(S) DIODE AI 1N4531 SI SMALL SIG
C54		011-54100-01	CAP CER AI 1N 10% T/C B 63V	D13		008-00014-73	(S) LED HLMP5050 GREEN RT ANGLE PCB MTG
C55		019-05470-00	CAP MONOLITHIC CER 47N 10% 50V X7R	D14		001-00012-23	(S) DIODE BYV26C 1A/400V FAST SWITCH
C56		025-08100-04	(L) CAP 10M 35V 10% TANT 2.5MM L/S	*D15		001-00011-06	(S) DIODE MUR440 ULTRAFast 400V 4A
C57		025-08100-04	(L) CAP 10M 35V 10% TANT 2.5MM L/S	D18		001-00011-06	(S) DIODE MUR440 ULTRAFast 400V 4A
C59		011-54100-01	CAP CER AI 1N 10% T/C B 63V	D19		001-00012-23	(S) DIODE BYV26C 1A/400V FAST SWITCH
C60		017-15470-01	CAP CER SURFACE BARRIER 47N 20% 50V	D20		001-50012-05	(S) DIODE AI 1N4531 SI SMALL SIG
C61		025-08100-04	(L) CAP 10M 35V 10% TANT 2.5MM L/S	D21		001-50012-05	(S) DIODE AI 1N4531 SI SMALL SIG
C62		019-05470-00	CAP MONOLITHIC CER 47N 10% 50V X7R	D22		001-00013-40	(S) DIODE SCHOTTKY BAT85 0.2A/30V
C63		022-57100-02	CAP MYLAR AI 1M 20% 50V POTTED	D23		008-00014-74	(S) LED HLMP5030 RED RT ANGLE PCB MTG
C65		020-09470-07	CAP 470M 16V 20% ELEC VERT 8*20 3.5MM L/S LO-ESR	D24		001-00011-70	(S) DIODE 1N4001 1A/50V

Ref	Var	IPN	Description	Ref	Var	IPN	Description
D25		001-00011-70	(S) DIODE 1N4001 1A/50V	R48		030-55150-20	RES FILM AI 15K 5% 0.4W 4X1.6MM
D26		001-00011-70	(S) DIODE 1N4001 1A/50V	R49		049-00140-10	VARISTOR 140VRMS 180VDC 42 JOULES
D27		001-00011-70	(S) DIODE 1N4001 1A/50V	R50		030-54220-20	RES FILM AI 2K2 5% 0.4W 4X1.6MM
D30		001-00011-70	(S) DIODE 1N4001 1A/50V	R51		030-55100-20	RES FILM AI 10K 5% 0.4W 4X1.6MM
D31		001-00015-19	(S) DIODE ZENER 5V6 0.4W 2% BZX79/B5V6	R52		030-56180-20	RES FILM AI 180K 5% 0.4W 4X1.6MM
D32		008-00014-74	(S) LED HLMP5030 RED RT ANGLE PCB MTG	R53		030-55330-20	RES FILM AI 33K 5% 0.4W 4X1.6MM
D36		001-50012-05	(S) DIODE AI 1N4531 SI SMALL SIG	R54B		030-55330-20	RES FILM AI 33K 5% 0.4W 4X1.6MM
D37		001-50012-05	(S) DIODE AI 1N4531 SI SMALL SIG	R55		045-05100-01	RES NTC 10K 5% 5MM DISC
D38		001-50012-05	(S) DIODE AI 1N4531 SI SMALL SIG	R56		030-55100-20	RES FILM AI 10K 5% 0.4W 4X1.6MM
D41		001-50012-05	(S) DIODE AI 1N4531 SI SMALL SIG	R57		030-55270-20	RES FILM AI 27K 5% 0.4W 4X1.6MM
D43		001-00011-45	(S) DIODE DUAL 30A/90V 30CPQ90	R58		030-55100-20	RES FILM AI 10K 5% 0.4W 4X1.6MM
*F1		265-00010-51	FUSE 5.0A 250V SLOW BLOW 5X20	R59		030-57100-20	RES FILM AI 1M 5% 0.4W 4X1.6MM
FC1		340-00010-07	FUSE CLIP PCB MTG 5MM FUSE	R60		030-55100-20	RES FILM AI 10K 5% 0.4W 4X1.6MM
FC2		340-00010-07	FUSE CLIP PCB MTG 5MM FUSE	R61		030-57100-20	RES FILM AI 1M 5% 0.4W 4X1.6MM
IC1		002-00012-40	(S) IC 358 DUAL OP AMP	R62		030-54680-20	RES FILM AI 6K8 5% 0.4W 4X1.6MM
IC2		002-00010-81	(S) IC 7815 +15V 1AMP TO -220 3PIN	R63		030-52330-20	RES FILM AI 33E 5% 0.4W 4X1.6MM
IC3		002-00012-40	(S) IC 358 DUAL OP AMP	R64		030-52220-20	RES FILM AI 22E 5% 0.4W 4X1.6MM
IC4		002-00016-61	(S) IC 3525A SMPS CTRL	R65		030-54150-20	RES FILM AI 1K5 5% 0.4W 4X1.6MM
IC5		002-00010-75	(S) IC TSC426 DRIVER INVERTING MOSFET 8PIN	R66		030-54150-20	RES FILM AI 10K 5% 0.4W 4X1.6MM
IC6		002-00010-75	(S) IC TSC426 DRIVER INVERTING MOSFET 8PIN	R67		030-55100-20	RES FILM AI 10K 5% 0.4W 4X1.6MM
IC7		002-00020-58	(S) IC CNX62A OPTOCOUPLER 250VAC APPRVD	R68		030-56100-20	RES FILM AI 10K 5% 0.4W 4X1.6MM
IC8		002-00014-15	(S) IC TL431 SHUNT REG TO-92	R69		030-53680-20	RES FILM AI 680E 5% 0.4W 4X1.6MM
*L1		065-00010-20	BEAD FERRITE BALUN 4B1 PHILIPS	R70		030-53270-20	RES FILM AI 270E 5% 0.4W 4X1.6MM
L2		056-00010-36	CHOKE FLTR 0.5MH COMM MODE	R71		030-54330-20	RES FILM AI 3K3 5% 0.4W 4X1.6MM
L3		056-00021-20	IND FXD 2MH 5AMP TOROIDAL	R72		030-52100-20	RES FILM AI 10E 5% 0.4W 4X1.6MM
L4		065-00010-11	BEAD FERRITE 4S3 3*1*4MM RED	R73		030-55100-20	RES FILM AI 10K 5% 0.4W 4X1.6MM
L5		065-00010-11	BEAD FERRITE 4S3 3*1*4MM RED	R74		030-54470-20	RES FILM AI 4K7 5% 0.4W 4X1.6MM
L6		065-00010-20	BEAD FERRITE BALUN 4B1 PHILIPS	R75		030-54470-20	RES FILM AI 4K7 5% 0.4W 4X1.6MM
L7		065-00010-11	BEAD FERRITE 4S3 3*1*4MM RED	R76		030-54680-20	RES FILM AI 6K8 5% 0.4W 4X1.6MM
L8		065-00010-11	BEAD FERRITE 4S3 3*1*4MM RED	R79A		032-32100-01	RES M/F PWR 10E 2.5W 17X5MM
*L9		065-00010-04	BEAD FERRITE F8 4X2X5MM	R79B		032-32100-01	RES M/F PWR 10E 2.5W 17X5MM
*L10		065-00010-04	BEAD FERRITE F8 4X2X5MM	R80		030-54100-20	RES FILM AI 1K 5% 0.4W 4X1.6MM
Note: Fit L4 & L5 On Leads Of C20 Fit L7 & L8 On Leads Of C51 Fit L9 Over Body Of R17 Fit L10 Over Body Of R19				R80A		030-52100-20	RES FILM AI 10E 5% 0.4W 4X1.6MM
PL2		240-00020-72	HEADER 2 WAY PCB MTG ULTRTEX	R80B		030-54180-20	RES FILM AI 1K8 5% 0.4W 4X1.6MM
*Q1		000-00012-61	(S) XSTR MTH7N50 NCHAN PWR MOS 7A 500V	*R81		032-33120-01	RES M/F PWR 120E 5% 17*5 2.5 W
*Q2		000-00012-61	(S) XSTR MTH7N50 NCHAN PWR MOS 7A 500V	RV81		042-05100-06	RES PRESET 10K CARBON 6MM FLAT
Q3		000-50011-30	(S) XSTR AI BC557B PNP TO-92 AF S/SIG	*R82		032-33120-01	RES M/F PWR 120E 5% 17*5 2.5 W
Q4		000-50011-10	(S) XSTR AI BC547B NPN TO-92 AF S/SIG	R83		030-52220-20	RES FILM AI 22E 5% 0.4W 4X1.6MM
Q6		000-00010-66	(S) XSTR BC337 NPN AF PWR TO92	R84		030-52220-20	RES FILM AI 22E 5% 0.4W 4X1.6MM
Q7		000-50011-30	(S) XSTR AI BC557B PNP TO-92 AF S/SIG	R85		030-08100-31	RES M/F 10M 3.5KV VR37 10*4MM
Q8		000-50011-30	(S) XSTR AI BC557B PNP TO-92 AF S/SIG	R86		030-55470-20	RES FILM AI 47K 5% 0.4W 4X1.6MM
Q9		000-00010-66	(S) XSTR BC337 NPN AF PWR TO92	R87		030-53100-20	RES FILM AI 100E 5% 0.4W 4X1.6MM
Q10		000-50011-10	(S) XSTR AI BC547B NPN TO-92 AF S/SIG	R88		030-54100-20	RES FILM AI 1K 5% 0.4W 4X1.6MM
Q11		000-50011-10	(S) XSTR AI BC547B NPN TO-92 AF S/SIG	R89		030-54470-20	RES FILM AI 4K7 5% 0.4W 4X1.6MM
Q12		000-50011-10	(S) XSTR AI BC547B NPN TO-92 AF S/SIG	R90		030-55470-20	RES FILM AI 47K 5% 0.4W 4X1.6MM
Q13		000-50011-10	(S) XSTR AI BC547B NPN TO-92 AF S/SIG	R91		030-54100-20	RES FILM AI 1K 5% 0.4W 4X1.6MM
R1		030-08100-31	RES M/F 10M 3.5KV VR37 10*4MM	RV92		042-03470-06	RES PRESET 470E CARBON 6MM FLAT
R2		049-00275-40	VARISTOR 275V AC 140JOULES 20MM DIA.	R93		030-53820-20	RES FILM AI 820E 5% 0.4W 4X1.6MM
R3		035-02100-93	RES WIRE WOUND 10E 5W 19X8MM	R94		030-54120-20	RES FILM AI 1K2 5% 0.4W 4X1.6MM
R4		032-35470-00	RES M/F PWR 47K 5% 1W 12X4.5MM	R95		030-55680-20	RES FILM AI 68K 5% 0.4W 4X1.6MM
R5		030-56270-20	RES FILM AI 270K 5% 0.4W 4X1.6MM	R96		030-54680-20	RES FILM AI 6K8 5% 0.4W 4X1.6MM
R6		030-56390-20	RES FILM AI 390K 5% 0.4W 4X1.6MM	R98		030-55100-20	RES FILM AI 10K 5% 0.4W 4X1.6MM
R7		032-35470-00	RES M/F PWR 47K 5% 1W 12X4.5MM	R99		030-54100-20	RES FILM AI 1K 5% 0.4W 4X1.6MM
R8		030-55680-20	RES FILM AI 68K 5% 0.4W 4X1.6MM	R100		030-55560-20	RES FILM AI 56K 5% 0.4W 4X1.6MM
R9		030-55470-20	RES FILM AI 47K 5% 0.4W 4X1.6MM	R101		030-55560-20	RES FILM AI 56K 5% 0.4W 4X1.6MM
R11		032-33100-02	RES M/F PWR 100E 5% 6W 33X9MM	R102		030-56470-20	RES FILM AI 470K 5% 0.4W 4X1.6MM
*R12		030-53100-20	RES FILM AI 100E 5% 0.4W 4X1.6MM	R103		030-55560-20	RES FILM AI 56K 5% 0.4W 4X1.6MM
R13A		030-52680-20	RES FILM AI 68E 5% 0.4W 4X1.6MM	R104		030-55100-20	RES FILM AI 10K 5% 0.4W 4X1.6MM
R13B		030-54150-20	RES FILM AI 1K5 5% 0.4W 4X1.6MM	R105		030-54100-20	RES FILM AI 1K 5% 0.4W 4X1.6MM
R14		030-54150-20	RES FILM AI 1K5 5% 0.4W 4X1.6MM	*R106		030-53100-20	RES FILM AI 100E 5% 0.4W 4X1.6MM
*R17		030-52100-20	RES FILM AI 10E 5% 0.4W 4X1.6MM	*R107		030-53100-20	RES FILM AI 100E 5% 0.4W 4X1.6MM
R18		030-54120-20	RES FILM AI 1K2 5% 0.4W 4X1.6MM	RLY1		237-00010-30	RELAY 12V COIL 240V 10A SPDT
*R19		030-52100-20	RES FILM AI 10E 5% 0.4W 4X1.6MM	SW1		233-00010-07	SWITCH DPDT 115/230V 6PIN
R20		030-54120-20	RES FILM AI 1K2 5% 0.4W 4X1.6MM	SW2		232-00020-28	PUSH SWITCH PCB MTG
R24		030-54120-20	RES FILM AI 1K2 5% 0.4W 4X1.6MM	SK-3		240-00010-23	PLUG 3 PIN 10AMP 250V PCB MTG
RV25		042-03470-06	RES PRESET 470E CARBON 6MM FLAT	SK-4		240-04030-06	TRMNL BLOCK 1WAY PC MT PHOENIX
R26		030-53680-20	RES FILM AI 680E 5% 0.4W 4X1.6MM	SK-5		240-04030-06	TRMNL BLOCK 1WAY PC MT PHOENIX
R27		030-54180-20	RES FILM AI 1K8 5% 0.4W 4X1.6MM	SK-6		240-04030-07	TERML BLK PCB MTG 1WAY FRT 2.5H/SA10
R28		030-53820-20	RES FILM AI 820E 5% 0.4W 4X1.6MM	SK-7		240-04030-07	TERML BLK PCB MTG 1WAY FRT 2.5H/SA10
R29		030-54270-20	RES FILM AI 2K7 5% 0.4W 4X1.6MM	T1		053-00010-58	XFMR T4073 T807/808 SWITCHING
R30		030-55100-20	RES FILM AI 10K 5% 0.4W 4X1.6MM	T2		053-00010-59	XFMR T4074 T807/808 CURRENT SENSE
R32		030-56100-20	RES FILM AI 100K 5% 0.4W 4X1.6MM	T3		053-01060-02	XFMR T4075 T807/808 MOSFET DRIVE
R33		030-54100-20	RES FILM AI 1K 5% 0.4W 4X1.6MM	T4		053-00010-63	XFMR T4079 MAINS 5VA 18V
R34		030-55100-20	RES FILM AI 10K 5% 0.4W 4X1.6MM	*T5		056-00010-49	CHOKE T4080 T808 DIFFNL MODE ETD39
R35		030-55100-20	RES FILM AI 10K 5% 0.4W 4X1.6MM	T6		056-00010-38	CHOKE T4071 T807-808 DIFFNL MODE
R36		030-55150-20	RES FILM AI 15K 5% 0.4W 4X1.6MM	TC1		239-00010-06	SW THERM PEPI 100C BARE TERML.C/W SLEEVE
R37		030-57100-20	RES FILM AI 1M 5% 0.4W 4X1.6MM				
R38		030-55100-20	RES FILM AI 10K 5% 0.4W 4X1.6MM				
R39		030-54390-20	RES FILM AI 3K9 5% 0.4W 4X1.6MM				
R40		030-54820-20	RES FILM AI 8K2 5% 0.4W 4X1.6MM				
R41		030-54680-20	RES FILM AI 6K8 5% 0.4W 4X1.6MM				
R43		030-55470-20	RES FILM AI 47K 5% 0.4W 4X1.6MM				
R44		030-55100-20	RES FILM AI 10K 5% 0.4W 4X1.6MM				
R45		030-56100-20	RES FILM AI 100K 5% 0.4W 4X1.6MM				
R46		030-55100-20	RES FILM AI 10K 5% 0.4W 4X1.6MM				
R47		030-52220-20	RES FILM AI 22E 5% 0.4W 4X1.6MM				

T808 Mechanical & Miscellaneous Parts (220-01183-05)

IPN	Legend	Description	IPN	Legend	Description
200-00010-35		WIRE T/C 1.5MM/1.4MM For L1 & L6. 35mm each	352-00010-08	15	NUT M3 COLD FORM HEX ST BZ D43 x1, Mains Socket x2, IC2 x1, Fan x4, Mounting Kit x2 (in bag)
201-00051-15		WIRE APPLC 1MM ² GREEN HI TEMP PVC85 For Earth Lead	352-00010-29	16	NUT M4 NYLOC HEX Handle x2
201-00060-09		WIRE REMIT 0.8MM ² PVC WHITE For Cut Out Switch on T1	353-00010-10		WASHER M3 FLAT 7MM*0.6MM ST BZ Mounting Kit x2 (in bag)
209-00010-26		TAPE COPPER 19MM * 0.08MM SCOTCH 1181 For taping switch to T1	353-00010-12	17	WASHER M3 SPRING BZ OR Z/C D43 x1, Mains Socket x2, IC2 x1, Fan x4
220-01183-05	1	PCB T807/T808 SMPS 2 OUNCE COPPER	356-00020-06		RECEPTL 6.3MM QUICK CONN FLARED INS For Earth Lead
240-02010-22		SKT MAINS 3PIN FLEX 2M/10A	356-00020-07		RECEPTL M3.5QUICK CONN M3.5 OPEN END For Earth Lead
*240-04020-72		SOCKET HOUSING 2 WAY MTG ULTREX To connect fan to PL-2	356-00020-21		TAB 6.3MM RT ANGLE SPADE CAR QCK CONN PCB Mounted Earth Connector
*240-04020-76		SKT RECEPTACLES WIRE CRIMP ULTREX To connect fan to PL-2	362-00010-13	18	BUSH INSULATING 1.1MM TOP HAT D43 Mounting x1
240-06010-27		BLANKING PLATE 2.5MM GREEN Fitted to SK-8	362-01024-00	19	INSULATOR 54*30 AS PER DRWG A4M2431 Q1/Q2 x1, D43 x1
*258-00010-04	22	FAN 12V 40 x 40 x 20 TUBE AXIAL Mount to rear panel	362-01052-00	20	XSTR CLAMPING BRKT T807/808 A4M2407 Bracing bracket for Q1 & Q2 x1
303-23128-01	2	COVR SIDE A2M2403/2 T807/808 COMP SCRIN	365-00011-54		LABEL WHITE RW 1556/2 90X24MM SPEC AD For outside of box
306-01010-00	3	FERRULE A4M948 HANDLE FXD EQUIP Place on handle x2	365-00013-59		LABEL T807/808 HI VOLT WARNING A4A651
307-02029-00		GUIDE REAR T807/808 A3M2409 Packed in box x2	365-00100-05		LABEL BLANK 50X9MM S/A METLSD POLYES Mounting Kit x1 (in bag) NB/ Label is to be placed over top of screened version on panel if power supply is to be 115 Volts
308-01007-00	4	HANDLE A4M949 FXD EQUIP Front Panel	365-01391-01		LABEL BLNK 30X10.8MM TAMPERMARK VOID Ser No x1, Job No x1, Rev No x1 & Elec Insp x1
308-13088-00		HSINK CLIP ON 14 OR 16 DIP INT CCTS ICs 4, 5 & 6	399-00010-10		RUBBER BAND NO 33
308-13091-00		HSINK PCB MTG TO-220 Heatsink for IC2 mounting to PCB	399-00010-51		BAG PLASTIC 75*100MM For Mounting Kit
311-00010-39		KNOB RED PLASTIC ROUND Pushes on to SW2	400-00020-01		SLEEING 0.7MM SIL RUBBER For Legs of R13A, R47 & R64
316-06399-01	5	PNL FRT COMPL T807 A3M2405/2	400-00020-03		SLEEING 1MM SIL RUBBER For Legs of R3, R11, 79A, R79B, R81 & R82
316-21176-03	6	PNL REAR A3M2427/2 T807 COMPL SCRIN	400-00020-05		SLEEING 1.5MM SIL RUBBER
318-01018-00	7	RAIL CHASSIS T807/808 A3M2404 Attached to PCB x2	400-00020-07		SLEEING 2MM SIL RUBBER Goes over wire for L1 & L6.
319-30030-01	8	SPACER A4M1115 T807/808 Between P.C.B. & Rails x6	410-01081-00		CRTN T800 KIWI REF22860 402X192X66MM
345-00040-06	9	SCREW M3*8MM PAN POZI ST BZ SK-3 x2, Mounting Kit x2 (in bag)	410-01082-00		CRTN 10 T800 KIWI REF24417 423X410X360
345-00040-12		SCREW M3X10MM CSK POZI ST BZ Mounting Kit x6 (in bag)			
345-00040-17	10	SCREW M3*16MM CSK POZI ST BZ D43 x1			
*345-00040-19	21	SCREW M3*25MM PAN POZI ST BZ Fan x4			
345-00040-24	11	SCREW M3X20MM CSK POZI ST BZ Q1/Q2 Bracing Bracket x1			
349-00020-07	12	SCREW 4-40 X 5/16 PAN POZI TAPTITE BLACK Front x4, Rear x4, Cover x4			
349-00020-08	13	SCREW TAPTITE 4-40X3/8IN CSK POZI BZ Covers to rails x16			
349-00020-34	14	SCREW M3*12 PAN POZI TAPTITE BZ P.C.B. to rails x6			

T807/808 Grid Reference Index (IPN 220-01183-05)

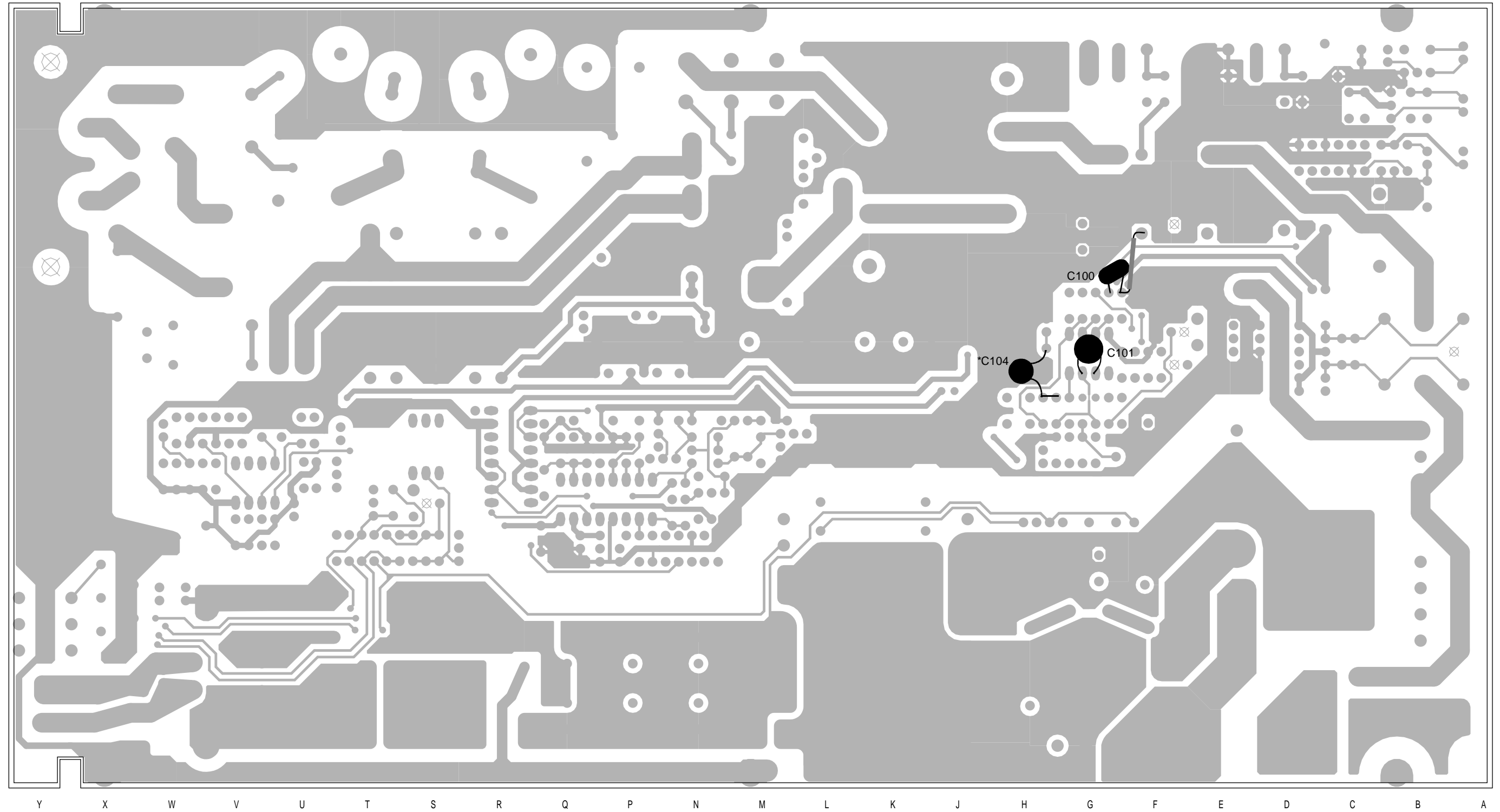
How To Use This Grid Reference Index

The first digit in the PCB layout reference is a "1" or "2", indicating the top or bottom side layout respectively, and the last two characters give the location of the component on that diagram.

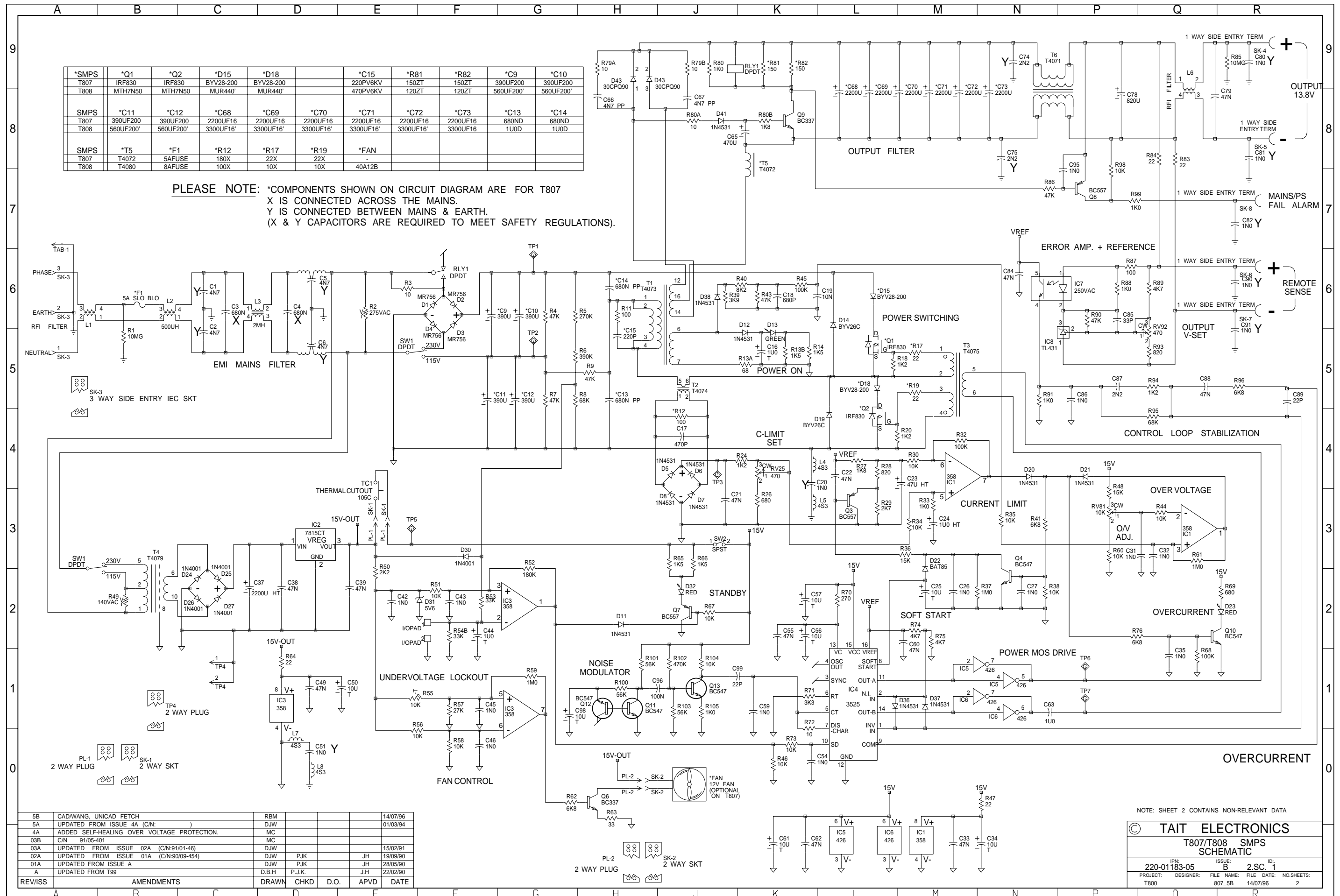
The first digit in the circuit diagram reference is the sheet number, and the last two characters give the location of the component on that sheet.

Device	PCB	Circuit	Device	PCB	Circuit	Device	PCB	Circuit	Device	PCB	Circuit
*C1	1:U11	1-C6	*C72	1:P3	1-M8	IC1	1:G8	1-M4	R20	1:D12	1-M4
*C2	1:U12	1-C5	*C73	1:Q3	1-N8			1-Q3	R24	1:D8	1-K4
*C3	1:T11	1-C6	C74	1:R3	1-N9			1-M0	RV25	1:F8	1-K4
*C4	1:R11	1-D6	C75	1:R2	1-N8	IC2	1:P7	1-D3	R26	1:E8	1-K3
*C5	1:P10	1-D6	C78	1:V3	1-P8	IC3	1:U5	1-G2	R27	1:G6	1-L4
*C5A	1:P10		C79	1:W3	1-Q8			1-G0	R28	1:G6	1-L4
*C6	1:P12	1-D5	C80	1:X2	1-R9			1-D1	R29	1:H6	1-L3
*C6A	1:P12		C81	1:X3	1-R8	IC4	1:Q6	1-L0	R30	1:G7	1-M4
*C9	1:K9	1-F6	C82	1:X4	1-R7	IC5	1:R5	1-M1	R32	1:G6	1-M4
*C10	1:H11	1-G6	C84	1:R7	1-N6			1-N1	R33	1:G7	1-M3
*C11	1:H9	1-F5	C85	1:S4	1-P6			1-L0	R34	1:G7	1-M3
*C12	1:K11	1-G5	C86	1:N4	1-P5	IC6	1:R6	1-M1	R35	1:G8	1-N3
*C13	1:J8	1-H5	C87	1:N5	1-P5			1-N1	R36	1:M6	1-M3
*C14	1:L8	1-H6	C88	1:N5	1-Q5			1-L0	R37	1:M6	1-N2
*C15	1:D3	1-H5	C89	1:N5	1-R5	IC7	1:S6	1-N6	R38	1:M6	1-N2
C16	1:B11	1-K5	C90	1:X3	1-R6	IC8	1:S5	1-P5	R39	1:C10	1-J6
C17	1:C8	1-J4	C91	1:X4	1-R5	*L1	1:X10	1-A6	R40	1:C10	1-K6
C18	1:C10	1-K6	C95	1:T5	1-P7	*L1A	1:X11		R41	1:H7	1-N3
C19	1:D10	1-L6	C96	1:N6	1-J1	L2	1:V11	1-B6	R43	1:C7	1-K6
C20	1:C12	1-K4	C98	1:N7	1-G1	L3	1:S11	1-C6	R44	1:G8	1-Q3
C21	1:D8	1-J3	C99	1:P7	1-K1	L4	1:C12	1-K4	R45	1:D11	1-K6
C22	1:G6	1-L4	C100	2:F9		L5	1:C12	1-K3	R46	1:G7	1-K0
C23	1:F6	1-M4	C101	2:G8		L6	1:W3	1-Q9	R47	1:G6	1-N0
C24	1:F7	1-M3	*C104	2:H7		L7	1:W5	1-D0	R48	1:F7	1-P3
C25	1:N6	1-M2	D1	1:N10	1-F6	L8	1:W5	1-D0	R49	1:N10	1-B2
C26	1:M6	1-M2	D2	1:N9	1-F6	*L9	1:F12		R50	1:V6	1-E2
C27	1:L6	1-N2	D3	1:N8	1-F6	*L10	1:D12		R51	1:W7	1-F2
C31	1:E8	1-Q3	D4	1:M9	1-F6	PL-1	1:D9	1-B0	R52	1:V5	1-G3
C32	1:G8	1-Q3	D5	1:D7	1-J4			1-E3	R53	1:U7	1-F2
C33	1:H8	1-M0	D6	1:D8	1-J4	*PL-2	1:T6	1-H0	R54B	1:U5	1-F2
C34	1:H8	1-N0	D7	1:C8	1-J3	*Q1	1:G12	1-L5	R55	1:W6	1-E1
C35	1:C12	1-Q1	D8	1:C7	1-J3	*Q2	1:E12	1-L4	R56	1:W6	1-F0
C37	1:P9	1-C2	D11	1:C12	1-H2	Q3	1:H6	1-L3	R57	1:W6	1-F1
C38	1:N7	1-D2	D12	1:B11	1-K5	Q4	1:M6	1-N2	R58	1:W6	1-F0
C39	1:P7	1-E2	D13	1:A11	1-K5	Q6	1:U6	1-H0	R59	1:V5	1-G1
C42	1:W7	1-E2	D14	1:G11	1-L6	Q7	1:B11	1-J2	R60	1:F7	1-P3
C43	1:V5	1-F2	*D15	1:G12	1-L6	Q8	1:T5	1-P7	R61	1:G8	1-Q3
C44	1:U5	1-F2	*D18	1:E12	1-L5	Q9	1:H5	1-K8	R62	1:U6	1-G0
C45	1:W6	1-F1	D19	1:E11	1-L4	Q10	1:B12	1-R2	R63	1:U6	1-H0
C46	1:W6	1-F0	D20	1:H7	1-N4	Q11	1:P6	1-H1	R64	1:V6	1-D1
C49	1:U6	1-D1	D21	1:H7	1-P4	Q12	1:P6	1-H1	R65	1:B11	1-J3
C50	1:V6	1-E1	D22	1:N6	1-M3	Q13	1:M7	1-J1	R66	1:B11	1-J3
C51	1:W5	1-D0	D23	1:A12	1-R2	R1	1:X9	1-B5	R67	1:C11	1-J2
C54	1:P5	1-K0	D24	1:Q8	1-C2	R2	1:N11	1-E6	R68	1:C12	1-Q1
C55	1:Q5	1-K2	D25	1:P8	1-C2	R3	1:U10	1-E6	R69	1:B12	1-R2
C56	1:P4	1-K2	D26	1:N8	1-C2	R4	1:M8	1-G6	R70	1:P5	1-L2
C57	1:Q5	1-K2	D27	1:P8	1-C2	R5	1:L10	1-G6	R71	1:P6	1-K1
C59	1:P6	1-K1	D30	1:U7	1-F3	R6	1:L10	1-G5	R72	1:P6	1-K1
C60	1:Q5	1-M2	D31	1:V6	1-F2	R7	1:M10	1-G5	R73	1:P4	1-K0
C61	1:Q7	1-K0	D32	1:A11	1-J2	R8	1:L11	1-G5	R74	1:Q6	1-M2
C62	1:Q6	1-K0	D36	1:Q6	1-L1	R9	1:G10	1-H5	R75	1:Q6	1-M2
C63	1:H7	1-N1	D37	1:Q6	1-M1	R11	1:D2	1-H6	R76	1:G8	1-Q2
C65	1:G5	1-K8	D38	1:C11	1-J6	*R12	1:C7	1-J4	R79A	1:G2	1-H9
C66	1:H3	1-H8	D41	1:G4	1-J8	R13A	1:B10	1-K5	R79B	1:G2	1-J9
C67	1:F3	1-J8	D43	1:G2	1-H9	R13B	1:B11	1-K5	R80	1:W8	1-J9
*C68	1:N2	1-L8			1-H9	R14	1:C11	1-K5	R80A	1:F4	1-J8
*C69	1:P2	1-L8	*FAN	1:Z8	1-J0	*R17	1:F12	1-M5	R80B	1:G5	1-K8
*C70	1:Q2	1-M8	*F1	1:W10	1-B6	R18	1:F12	1-L5	*R81	1:K5	1-K9
*C71	1:N3	1-M8	HS	1:P7		*R19	1:D12	1-M5	RV81	1:F7	1-P3

<u>Device</u>	<u>PCB</u>	<u>Circuit</u>	<u>Device</u>	<u>PCB</u>	<u>Circuit</u>	<u>Device</u>	<u>PCB</u>	<u>Circuit</u>	<u>Device</u>	<u>PCB</u>	<u>Circuit</u>
*R82	1:K5	1-K9									
R83	1:U5	1-Q8									
R84	1:T5	1-Q8									
R85	1:W2	1-R9									
R86	1:T4	1-N7									
R87	1:T4	1-P6									
R88	1:S5	1-P6									
R89	1:T4	1-Q6									
R90	1:S4	1-P6									
R91	1:N4	1-N5									
RV92	1:S5	1-Q5									
R93	1:T5	1-Q5									
R94	1:P5	1-Q5									
R95	1:N5	1-Q4									
R96	1:N5	1-R5									
R98	1:W4	1-P7									
R99	1:W4	1-P7									
R100	1:N6	1-H1									
R101	1:Q6	1-H1									
R102	1:N6	1-J1									
R103	1:N5	1-J1									
R104	1:N5	1-J1									
R105	1:M7	1-J1									
*R106	1:H7										
*R107	1:H7										
RLY1	1:V8	1-J9									
		1-F6									
SW1	1:N12	1-E5									
		1-A3									
SW2	1:C9	1-J3									
SK-1		1-B0									
		1-E3									
SK-2		1-H0									
SK-3	1:X10	1-A4									
SK-4	1:X2	1-R9									
SK-5	1:X3	1-R8									
SK-6	1:Y3	1-R6									
SK-7	1:Y3	1-R6									
SK-8	1:Y4	1-R7									
T1	1:C5	1-J5									
T2	1:B8	1-J5									
T3	1:F10	1-M4									
T4	1:S8	1-B2									
*T5	1:K3	1-K8									
T6	1:T3	1-P8									
TAB-1	1:Y8	1-A7									
TC1		1-E3									
TP1	1:N7	1-G6									
TP2	1:G10	1-G5									
TP3	1:D8	1-J4									
TP4	1:L7	1-B0									
TP5	1:C9	1-E3									
TP6	1:K7	1-P1									
TP7	1:J7	1-P1									



T807/808 PCB Layout
Bottom Side
220-01183-05



T807 Parts List (IPN 220-01183-07)

How To Use This Parts List

The components listed in this parts list are divided into two main types: those with a circuit reference (e.g. C2, D1, R121, etc) and those without (miscellaneous and mechanical). Static sensitive devices are prefixed with (S).

Those with a circuit reference are grouped by component type in numerical order. Each component entry comprises three or four columns: the circuit reference, variant number (if applicable), IPN and description. A number in the variant column indicates that this component is fitted only to that variant.

The miscellaneous and mechanical section lists the parts in IPN order and where possible the legend indicates their position on the exploded view.

Parts List Amendments

There were no amendments to the parts list at the time of publication.

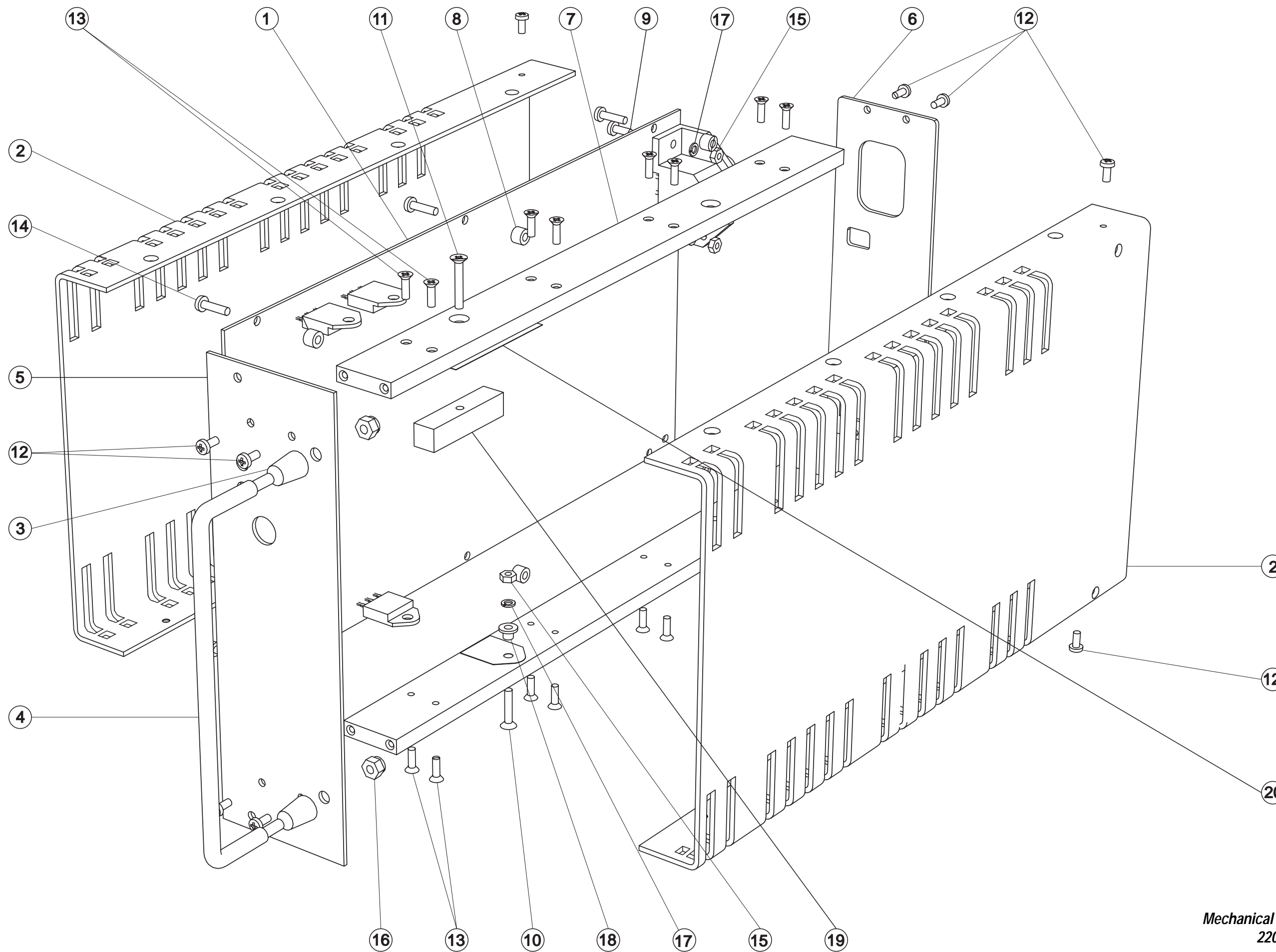
Ref	Var	IPN	Description	Ref	Var	IPN	Description
C1		010-04470-09	CAP CERAMIC 4N7 +-20% 250VAC APPROVED	*C71		020-19220-02	CAP ELECT RAD 2200M 16V 12.5X30MM LO ESR
C2		010-04470-09	CAP CERAMIC 4N7 +-20% 250VAC APPROVED	*C72		020-19220-02	CAP ELECT RAD 2200M 16V 12.5X30MM LO ESR
C3		022-06680-04	CAP MYLAR 680N +- 20% 250VAC APPROVED	*C73		020-19220-02	CAP ELECT RAD 2200M 16V 12.5X30MM LO ESR
C4		022-06680-04	CAP MYLAR 680N +- 20% 250VAC APPROVED	C74		022-05470-04	CAP MYLAR 47N +-20% 250VAC APPROVED
C5		010-04470-09	CAP CERAMIC 4N7 +-20% 250VAC APPROVED	C75		022-05470-04	CAP MYLAR 47N +-20% 250VAC APPROVED
C5A		010-04470-09	CAP CERAMIC 4N7 +-20% 250VAC APPROVED	C78		020-09820-01	CAP 820M 16V ELECT 10X25MM
C6		010-04470-09	CAP CERAMIC 4N7 +-20% 250VAC APPROVED	C79		019-05470-00	CAP MONOLITHIC CER 47N 10% 50V X7R
C6A		010-04470-09	CAP CERAMIC 4N7 +-20% 250VAC APPROVED	C79		015-25100-08	CAP CER 0805 CHIP 10N 10% X7R 50V
*C9		021-09390-00	CAP 390UF ELECT 200V 105D 25DIA X40 10MMLS	C80		010-05100-09	CAP CER 10N +-20% 250VAC RATED
*C10		021-09390-00	CAP 390UF ELECT 200V 105D 25DIA X40 10MMLS	C81		010-05100-09	CAP CER 10N +-20% 250VAC RATED
*C11		021-09390-00	CAP 390UF ELECT 200V 105D 25DIA X40 10MMLS	C82		010-04100-04	CAP CER 1N 10% T/C B 400V
*C12		021-09390-00	CAP 390UF ELECT 200V 105D 25DIA X40 10MMLS	C83		015-06100-08	CAP CER 1206 CHIP 100N 10% X7R 50V
*C13		024-06680-08	CAP POLYPR AXIAL 680N 20% 250VDC	C84		019-05470-00	CAP MONOLITHIC CER 47N 10% 50V X7R
*C14		024-06680-08	CAP POLYPR AXIAL 680N 20% 250VDC	C85		011-52330-01	CAP CER AI 33P 5% N150 50/63V
*C15		010-03220-03	CAP CER 220P 10% T/C B 63V	C86		022-54100-10	CAP MYLAR AI 1N 5% 63V POTTED
C16		025-07100-01	CAP TANT BEAD 1M 35V	C87		022-54220-10	CAP MYLAR AI 2N2 5% 63V POTTED
C17		011-53470-02	CAP CER AI 470P 10% T/C B 63V	C88		022-55470-10	CAP MYLAR AI 47N 5% 63V POTTED
C18		011-03680-01	CAP CER 680P 10% N1K5 50/63V	C89		011-52220-01	CAP CER AI 22P 5% N150 50/63V
C19		019-55100-01	CAP MONOLITHIC AI 10N 5% COG 50V	C90		010-04100-04	CAP CER 1N 10% T/C B 400V
C20		010-04100-04	CAP CER 1N 10% T/C B 400V	C91		010-04100-04	CAP CER 1N 10% T/C B 400V
C21		022-55470-10	CAP MYLAR AI 47N 5% 63V POTTED	C92		010-04220-09	CAP CER 2N2 10% 250VAC APPROVED
C22		022-55470-10	CAP MYLAR AI 47N 5% 63V POTTED	C93		010-04220-09	CAP CER 2N2 10% 250VAC APPROVED
C23		020-08470-07	CAP ELECT RADL 47M 16V 8X11.5MM HI TEMP	C95		011-54100-01	CAP CER AI 1N 10% T/C B 63V
C24		020-07100-04	CAP ELECT RADL 1M 63V 8X12MM HI TEMP	C96		022-56100-10	CAP MYLAR AI 100N 5% 63V POTTED
C25		025-08100-03	CAP 10M 35V 20% TANT 5MM L/S	C98		025-08100-03	CAP 10M 35V 20% TANT 5MM L/S
C26		011-54100-01	CAP CER AI 1N 10% T/C B 63V	C99		011-52220-01	CAP CER AI 22P 5% N150 50/63V
C27		011-54100-01	CAP CER AI 1N 10% T/C B 63V	C100		011-03100-06	CAP CER 100P +-10% 250 VAC APPROVED
C31		011-54100-01	CAP CER AI 1N 10% T/C B 63V	C102		010-03220-09	CAP CER 220P +-10% 250 VAC APPROVED
C32		011-54100-01	CAP CER AI 1N 10% T/C B 63V	C104		011-54100-01	CAP CER AI 1N 10% T/C B 63V
C33		019-05470-00	CAP MONOLITHIC CER 47N 10% 50V X7R				
C34		025-08100-03	CAP 10M 35V 20% TANT 5MM L/S	D1		001-00012-30	(S) DIODE 6A6 MR 756 BY214-600 6A/600V
C35		011-54100-01	CAP CER AI 1N 10% T/C B 63V	D2		001-00012-30	(S) DIODE 6A6 MR 756 BY214-600 6A/600V
C37		020-19220-04	CAP 2200M ELEC 35V 16X35 L ESR	D3		001-00012-30	(S) DIODE 6A6 MR 756 BY214-600 6A/600V
C38		019-05470-00	CAP MONOLITHIC CER 47N 10% 50V X7R	D4		001-00012-30	(S) DIODE 6A6 MR 756 BY214-600 6A/600V
C39		019-05470-00	CAP MONOLITHIC CER 47N 10% 50V X7R	D5		001-50012-05	(S) DIODE AI 1N4531 SI SMALL SIG
C42		011-54100-01	CAP CER AI 1N 10% T/C B 63V	D6		001-50012-05	(S) DIODE AI 1N4531 SI SMALL SIG
C43		011-54100-01	CAP CER AI 1N 10% T/C B 63V	D7		001-50012-05	(S) DIODE AI 1N4531 SI SMALL SIG
C44		025-07100-01	CAP TANT BEAD 1M 35V	D8		001-50012-05	(S) DIODE AI 1N4531 SI SMALL SIG
C45		011-54100-01	CAP CER AI 1N 10% T/C B 63V	D11		001-50012-05	(S) DIODE AI 1N4531 SI SMALL SIG
C46		011-54100-01	CAP CER AI 1N 10% T/C B 63V	D12		001-50012-05	(S) DIODE AI 1N4531 SI SMALL SIG
C49		019-05470-00	CAP MONOLITHIC CER 47N 10% 50V X7R	D13		008-00014-73	(S) LED HLMP5050 GREEN RT ANGLE PCB MTG
C50		025-08100-03	CAP 10M 35V 20% TANT 5MM L/S	D14		001-00012-23	(S) DIODE BYV26C 1A/400V FAST SWITCH
C51		010-04100-04	CAP CER 1N 10% T/C B 400V	*D15		001-00012-27	(S) DIODE BYV28-200 3.5A/200V FAST SWITCH
C54		011-54100-01	CAP CER AI 1N 10% T/C B 63V	*D18		001-00012-27	(S) DIODE BYV28-200 3.5A/200V FAST SWITCH
C55		019-05470-00	CAP MONOLITHIC CER 47N 10% 50V X7R	D19		001-00012-23	(S) DIODE BYV26C 1A/400V FAST SWITCH
C56		025-08100-03	CAP 10M 35V 20% TANT 5MM L/S	D20		001-50012-05	(S) DIODE AI 1N4531 SI SMALL SIG
C57		025-08100-03	CAP 10M 35V 20% TANT 5MM L/S	D21		001-50012-05	(S) DIODE AI 1N4531 SI SMALL SIG
C59		011-54100-01	CAP CER AI 1N 10% T/C B 63V	D22		001-00013-40	(S) DIODE SCHOTTKY BAT85 0.2A/30V
C60		017-15470-01	CAP CER SURFACE BARRIER 47N 20% 50V	D23		008-00014-74	(S) LED HLMP5030 RED RT ANGLE PCB MTG
C61		025-08100-03	CAP 10M 35V 20% TANT 5MM L/S	D24		001-00011-70	(S) DIODE 1N4001 1A/50V
C62		019-05470-00	CAP MONOLITHIC CER 47N 10% 50V X7R	D25		001-00011-70	(S) DIODE 1N4001 1A/50V
C63		022-57100-02	CAP MYLAR AI 1M 20% 50V POTTED	D26		001-00011-70	(S) DIODE 1N4001 1A/50V
C65		020-09470-07	CAP 470M 16V 20% ELEC VERT 8*20 3.5MM L/S LO-ESR	D27		001-00011-70	(S) DIODE 1N4001 1A/50V
				D30		001-00011-70	(S) DIODE 1N4001 1A/50V
C66		024-14470-01	CAP METAL POLYPR RADL 4N7 10% 400VAC	D31		001-00015-19	(S) DIODE ZENER 5V6 0.4W 2% BZX79/B5V6
C67		024-14470-01	CAP METAL POLYPR RADL 4N7 10% 400VAC	D32		008-00014-74	(S) LED HLMP5030 RED RT ANGLE PCB MTG
*C68		020-19220-02	CAP ELECT RAD 2200M 16V 12.5X30MM LO ESR	D36		001-50012-05	(S) DIODE AI 1N4531 SI SMALL SIG
*C69		020-19220-02	CAP ELECT RAD 2200M 16V 12.5X30MM LO ESR	D37		001-50012-05	(S) DIODE AI 1N4531 SI SMALL SIG
*C70		020-19220-02	CAP ELECT RAD 2200M 16V 12.5X30MM LO ESR	D38		001-50012-05	(S) DIODE AI 1N4531 SI SMALL SIG

Ref	Var	IPN	Description	Ref	Var	IPN	Description
D41		001-50012-05	(S) DIODE AI 1N4531 SI SMALL SIG	R51		030-55100-20	RES FILM AI 10K 5% 0.4W 4X1.6MM
D43		001-00011-45	(S) DIODE DUAL 30A/90V 30CPQ90	R52		030-56180-20	RES FILM AI 180K 5% 0.4W 4X1.6MM
*F1		265-00010-51	FUSE 5.0A 250V SLOW BLOW 5X20	R53		030-55330-20	RES FILM AI 33K 5% 0.4W 4X1.6MM
FC1		340-00010-07	FUSE CLIP PCB MTG 5MM FUSE	R54B		030-55330-20	RES FILM AI 33K 5% 0.4W 4X1.6MM
FC2		340-00010-07	FUSE CLIP PCB MTG 5MM FUSE	R55		045-05100-01	RES NTC 10K 5% 5MM DISC
IC1		002-00012-40	(S) IC 358 DUAL OP AMP	R56		030-55100-20	RES FILM AI 10K 5% 0.4W 4X1.6MM
IC2		002-00010-81	(S) IC 7815 +15V 1AMP TO -220 3PIN	R57		030-55270-20	RES FILM AI 27K 5% 0.4W 4X1.6MM
IC3		002-00012-40	(S) IC 358 DUAL OP AMP	R58		030-55100-20	RES FILM AI 10K 5% 0.4W 4X1.6MM
IC4		002-00016-61	(S) IC 3525A SMPS CTRL	R59		030-57100-20	RES FILM AI 1M 5% 0.4W 4X1.6MM
IC5		002-00010-75	(S) IC TSC426 DRIVER INVERTING MOSFET 8PIN	R60		030-55100-20	RES FILM AI 10K 5% 0.4W 4X1.6MM
IC6		002-00010-75	(S) IC TSC426 DRIVER INVERTING MOSFET 8PIN	R61		030-57100-20	RES FILM AI 1M 5% 0.4W 4X1.6MM
IC7		002-00020-58	(S) IC CNX62A OPTOCOPLER 250VAC APPROVD	R62		030-54680-20	RES FILM AI 6K8 5% 0.4W 4X1.6MM
IC8		002-00014-15	(S) IC TL431 SHUNT REG TO-92	R63		030-52330-20	RES FILM AI 33E 5% 0.4W 4X1.6MM
L1		056-00010-50	CHOKE 16UH +20% DIFF MODE	R64		030-52220-20	RES FILM AI 22E 5% 0.4W 4X1.6MM
L1A		056-00010-50	CHOKE 16UH +20% DIFF MODE	R65		030-54150-20	RES FILM AI 1K5 5% 0.4W 4X1.6MM
L2		056-00010-36	CHOKE FLTR 0.5MH COMM MODE	R66		030-54150-20	RES FILM AI 1K5 5% 0.4W 4X1.6MM
L3		056-00021-20	IND FXD 2MH 5AMP TOROIDAL	R67		030-55100-20	RES FILM AI 10K 5% 0.4W 4X1.6MM
L4		065-00010-11	BEAD FERRITE 4S3 3*1*4MM RED	R68		030-56100-20	RES FILM AI 100K 5% 0.4W 4X1.6MM
L5		065-00010-11	BEAD FERRITE 4S3 3*1*4MM RED	R69		030-53680-20	RES FILM AI 680E 5% 0.4W 4X1.6MM
L6		069-00010-29	TOROID CORE FERRITE TN14/9/5 4A11 x5	R70		030-53270-20	RES FILM AI 270E 5% 0.4W 4X1.6MM
L7		065-00010-11	BEAD FERRITE 4S3 3*1*4MM RED	R71		030-54330-20	RES FILM AI 3K3 5% 0.4W 4X1.6MM
L8		065-00010-11	BEAD FERRITE 4S3 3*1*4MM RED	R72		030-52100-20	RES FILM AI 10E 5% 0.4W 4X1.6MM
L9		065-00010-04	BEAD FERRITE F8 4X2X5MM	R73		030-55100-20	RES FILM AI 10K 5% 0.4W 4X1.6MM
L10		065-00010-04	BEAD FERRITE F8 4X2X5MM	R74		030-54470-20	RES FILM AI 4K7 5% 0.4W 4X1.6MM
L12		065-00010-08	BEAD FERRITE 4S3 3*0.7*10MM RED	R75		030-54470-20	RES FILM AI 4K7 5% 0.4W 4X1.6MM
L13		065-00010-08	BEAD FERRITE 4S3 3*0.7*10MM RED	R76		030-54680-20	RES FILM AI 6K8 5% 0.4W 4X1.6MM
L14		065-00010-08	BEAD FERRITE 4S3 3*0.7*10MM RED	R79A		032-32100-01	RES M/F PWR 10E 2.5W 17X5MM
L15		065-00010-08	BEAD FERRITE 4S3 3*0.7*10MM RED	R79B		032-32100-01	RES M/F PWR 10E 2.5W 17X5MM
				R80		030-54100-20	RES FILM AI 1K 5% 0.4W 4X1.6MM
				R80A		030-52100-20	RES FILM AI 10E 5% 0.4W 4X1.6MM
				R80B		030-54180-20	RES FILM AI 1K8 5% 0.4W 4X1.6MM
				*R81		032-33150-01	RES M/F PWR 150E 5% 2.5W 17X5MM
				RV81		042-05100-06	RES PRESET 10K CARBON 6MM FLAT
				*R82		032-33150-01	RES M/F PWR 150E 5% 2.5W 17X5MM
				R83		030-52220-20	RES FILM AI 22E 5% 0.4W 4X1.6MM
				R84		030-52220-20	RES FILM AI 22E 5% 0.4W 4X1.6MM
				R85		030-08100-31	RES M/F 10M 3.5KV VR37 10*4MM
				R86		030-55470-20	RES FILM AI 47K 5% 0.4W 4X1.6MM
				R87		030-53100-20	RES FILM AI 100E 5% 0.4W 4X1.6MM
				R88		030-54100-20	RES FILM AI 1K 5% 0.4W 4X1.6MM
				R89		030-54470-20	RES FILM AI 4K7 5% 0.4W 4X1.6MM
				R90		030-55470-20	RES FILM AI 47K 5% 0.4W 4X1.6MM
				R91		030-54100-20	RES FILM AI 1K 5% 0.4W 4X1.6MM
				RV92		042-03470-06	RES PRESET 470E CARBON 6MM FLAT
				R93		030-53820-20	RES FILM AI 820E 5% 0.4W 4X1.6MM
				R94		030-54120-20	RES FILM AI 1K2 5% 0.4W 4X1.6MM
				R95		030-55680-20	RES FILM AI 68K 5% 0.4W 4X1.6MM
				R96		030-54680-20	RES FILM AI 6K8 5% 0.4W 4X1.6MM
				R98		030-55100-20	RES FILM AI 10K 5% 0.4W 4X1.6MM
				R99		030-54100-20	RES FILM AI 1K 5% 0.4W 4X1.6MM
				R100		030-55560-20	RES FILM AI 56K 5% 0.4W 4X1.6MM
				R101		030-55560-20	RES FILM AI 56K 5% 0.4W 4X1.6MM
				R102		030-56470-20	RES FILM AI 470K 5% 0.4W 4X1.6MM
				R103		030-55560-20	RES FILM AI 56K 5% 0.4W 4X1.6MM
				R104		030-55100-20	RES FILM AI 10K 5% 0.4W 4X1.6MM
				R105		030-54100-20	RES FILM AI 1K 5% 0.4W 4X1.6MM
				R106		030-53100-20	RES FILM AI 100E 5% 0.4W 4X1.6MM
				R107		030-53100-20	RES FILM AI 100E 5% 0.4W 4X1.6MM
				RLY1		237-00010-30	RELAY 12V COIL 240V 10A SPDT
				SW1		233-00010-07	SWITCH DPDT 115/230V 6PIN
				SW2		232-00020-28	PUSH SWITCH PCB MTG
				SK-3		240-00010-23	PLUG 3 PIN 10AMP 250V PCB MTG
				SK-4		240-04030-06	TRMNL BLOCK 1WAY PC MT PHOENIX
				SK-5		240-04030-06	TRMNL BLOCK 1WAY PC MT PHOENIX
				SK-6		240-04030-07	TERML BLK PCB MTG 1WAY FRT 2.5H/SA10
				SK-7		240-04030-07	TERML BLK PCB MTG 1WAY FRT 2.5H/SA10
				SK-8		240-04030-07	TERML BLK PCB MTG 1WAY FRT 2.5H/SA10
				T1		053-00010-58	XFMR T4073 T807/808 SWITCHING
				T2		053-00010-59	XFMR T4074 T807/808 CURRENT SENSE
				T3		053-01060-02	XFMR T4075 T807/808 MOSFET DRIVE
				T4		053-00010-63	XFMR T4079 MAINTS 5VA 18V
				*T5		056-00010-39	CHOKE T4072 T807 DIFFNL MODE ETD39
				T6		056-00010-38	CHOKE T4071 T807-808 DIFFNL MODE
				TC1		239-00010-06	SW THERM PEP1 100C BARE TERML.C/W SLEEVE
*Q1		000-00012-63	(S) XSTR MTP4N50 PWR MOSFET 500V TO220				
*Q2		000-00012-63	(S) XSTR MTP4N50 PWR MOSFET 500V TO220				
Q3		000-50011-30	(S) XSTR AI BC557B PNP TO-92 AF S/SIG				
Q4		000-50011-10	(S) XSTR AI BC547B NPN TO-92 AF S/SIG				
Q6		000-00010-66	(S) XSTR BC337 NPN AF PWR TO92				
Q7		000-50011-30	(S) XSTR AI BC557B PNP TO-92 AF S/SIG				
Q8		000-50011-30	(S) XSTR AI BC557B PNP TO-92 AF S/SIG				
Q9		000-00010-66	(S) XSTR BC337 NPN AF PWR TO92				
Q10		000-50011-10	(S) XSTR AI BC547B NPN TO-92 AF S/SIG				
Q11		000-50011-10	(S) XSTR AI BC547B NPN TO-92 AF S/SIG				
Q12		000-50011-10	(S) XSTR AI BC547B NPN TO-92 AF S/SIG				
Q13		000-50011-10	(S) XSTR AI BC547B NPN TO-92 AF S/SIG				
R1		030-08100-31	RES M/F 10M 3.5KV VR37 10*4MM				
R2		049-00275-40	VARIATOR 275V AC 140JOULES 20MM DIA.				
R3		035-02100-93	RES WIRE WOUND 10E 5W 19X8MM				
R4		032-35470-00	RES M/F PWR 47K 5% 1W 12X4.5MM				
R5		030-56270-20	RES FILM AI 270K 5% 0.4W 4X1.6MM				
R6		030-56390-20	RES FILM AI 390K 5% 0.4W 4X1.6MM				
R7		032-35470-00	RES M/F PWR 47K 5% 1W 12X4.5MM				
R8		030-55680-20	RES FILM AI 68K 5% 0.4W 4X1.6MM				
R9		030-55470-20	RES FILM AI 47K 5% 0.4W 4X1.6MM				
R11		032-33100-02	RES M/F PWR 100E 5% 6W 33X9MM				
*R12		030-53180-20	RES FILM AI 180E 5% 0.4W 4X1.6MM				
R13A		030-52680-20	RES FILM AI 68E 5% 0.4W 4X1.6MM				
R13B		030-54150-20	RES FILM AI 1K5 5% 0.4W 4X1.6MM				
R14		030-54150-20	RES FILM AI 1K5 5% 0.4W 4X1.6MM				
R17		030-52220-20	RES FILM AI 22E 5% 0.4W 4X1.6MM				
R18		030-54120-20	RES FILM AI 1K2 5% 0.4W 4X1.6MM				
R19		030-52220-20	RES FILM AI 22E 5% 0.4W 4X1.6MM				
R20		030-54120-20	RES FILM AI 1K2 5% 0.4W 4X1.6MM				
R24		030-54120-20	RES FILM AI 1K2 5% 0.4W 4X1.6MM				
RV25		042-03470-06	RES PRESET 470E CARBON 6MM FLAT				
R26		030-53680-20	RES FILM AI 680E 5% 0.4W 4X1.6MM				
R27		030-54180-20	RES FILM AI 1K8 5% 0.4W 4X1.6MM				
R28		030-53820-20	RES FILM AI 820E 5% 0.4W 4X1.6MM				
R29		030-54270-20	RES FILM AI 2K7 5% 0.4W 4X1.6MM				
R30		030-55100-20	RES FILM AI 10K 5% 0.4W 4X1.6MM				
R32		030-56100-20	RES FILM AI 100K 5% 0.4W 4X1.6MM				
R33		030-54100-20	RES FILM AI 1K 5% 0.4W 4X1.6MM				
R34		030-55100-20	RES FILM AI 10K 5% 0.4W 4X1.6MM				
R35		030-55100-20	RES FILM AI 10K 5% 0.4W 4X1.6MM				
R36		030-55150-20	RES FILM AI 15K 5% 0.4W 4X1.6MM				
R37		030-57100-20	RES FILM AI 1M 5% 0.4W 4X1.6MM				
R38		030-55100-20	RES FILM AI 10K 5% 0.4W 4X1.6MM				
R39		030-54390-20	RES FILM AI 3K9 5% 0.4W 4X1.6MM				
R40		030-54820-20	RES FILM AI 8K2 5% 0.4W 4X1.6MM				
R41		030-54680-20	RES FILM AI 6K8 5% 0.4W 4X1.6MM				
R43		030-55470-20	RES FILM AI 47K 5% 0.4W 4X1.6MM				
R44		030-55100-20	RES FILM AI 10K 5% 0.4W 4X1.6MM				
R45		030-56100-20	RES FILM AI 100K 5% 0.4W 4X1.6MM				
R46		030-55100-20	RES FILM AI 10K 5% 0.4W 4X1.6MM				
R47		030-52220-20	RES FILM AI 22E 5% 0.4W 4X1.6MM				
R48		030-55150-20	RES FILM AI 15K 5% 0.4W 4X1.6MM				
R49		049-00140-10	VARIATOR 140VRMS 180VDC 42 JOULES				
R50		030-54220-20	RES FILM AI 2K2 5% 0.4W 4X1.6MM				

Note: Fit L4 & L5 On Leads Of C20
Fit L7 & L8 On Leads Of C51
Fit L9 Over Body Of R17
Fit L10 Over Body Of R19
Fit L12 & L13 On Leads Of R83
Fit L14 & L15 On Leads Of R84

T807 Mechanical & Miscellaneous Parts (220-01183-07)

IPN	Legend	Description	IPN	Legend	Description
200-00010-35		WIRE T/C 1.5MM/1.4MM For L6. 35mm	352-00010-29	16	NUT M4 NYLOC HEX Handle x2
201-00051-15		WIRE APPLC 1MM ² GREEN HI TEMP PVC85 For Earth Lead	353-00010-10		WASHER M3 FLAT 7MM*0.6MM ST BZ Mounting Kit x2 (in bag)
201-00060-09		WIRE REMIT 0.8MM ² PVC WHITE For Cut Out Switch on T1	353-00010-12	17	WASHER M3 SPRING BZ OR Z/C D43 x1, Mains Socket x2, IC2 x1
209-00010-26		TAPE COPPER 19MM * 0.08MM SCOTCH 1181 For taping switch to T1	356-00020-06		RECEPTL 6.3MM QUICK CONN FLARED INS For Earth Lead
220-01183-07	1	PCB T807/T808 SMPS 2 OUNCE COPPER	356-00020-07		RECEPTL M3.5QUICK CONN M3.5 OPEN END For Earth Lead
240-02010-22		SKT MAINS 3PIN FLEX 2M/10A	356-00020-21		TAB 6.3MM RT ANGLE SPADE CAR QCK CONN PCB Mounted Earth Connector
240-06010-27		BLANKING PLATE 2.5MM GREEN Fitted to SK-8	362-00010-13	18	BUSH INSULATING 1.1MM TOP HAT D43 Mounting x1
302-05228-01		BRACKET TRANSFORMER MTG T807/808 T4 x1	362-01024-00	19	INSULATOR 54*30 AS PER DRWG A4M2431 Q1/Q2 x1, D43 x1
303-23128-02	2	COVR SIDE A2M2403/2 T807/808 COMP SCRNM	362-01052-00	20	XSTR CLAMPING BRKT T807/808 A4M2407 Bracing bracket for Q1 & Q2 x1
306-01010-00	3	FERRULE A4M948 HANDLE FXD EQUIP Place on Handle x2	365-00011-54		LABEL WHITE RW 1556/2 90X24MM SPEC AD For outside of box
307-02029-00		GUIDE REAR T807/808 A3M2409 Packed in box x2	365-00013-59		LABEL T807/808 HI VOLT WARNING A4A651
308-01007-00	4	HANDLE A4M949 FXD EQUIP Front Panel	365-00100-05		LABEL BLANK 50X9MM S/A METLSD POLYES Mounting Kit x1 (in bag) NB/ Label is to be placed over top of screened version on panel if power supply is to be 115 Volts
308-13088-00		HSINK CLIP ON 14 OR 16 DIP INT CCTS ICs 4, 5 & 6	365-01391-01		LABEL BLNK 30X10.8MM TAMPERMARK VOID Ser No x1, Job No x1, Rev No x1 & Elec Insp x1
308-13091-00		HSINK PCB MTG TO-220 IC2 mounting to PCB	365-01500-00		LABEL CE CONFORMITY 12*24MM
311-00010-39		KNOB RED PLASTIC ROUND Pushes on to SW2	369-00020-52		TAPE ELECT INSULATION UL APPRVD 130°C For T4
316-06398-01	5	PNL FRT COMPL T807 A3M2405/2	399-00010-10		RUBBER BAND NO 33
316-21177-02	6	PNL REAR A3M2427/2 T807 COMPL SCRNM	399-00010-51		BAG PLASTIC 75*100MM For Mounting Kit
318-01018-00	7	RAIL CHASSIS T807/808 A3M2404 Attached to PCB x2	400-00020-01		SLEEVING 0.7MM SIL RUBBER For Legs of R13A, R47 & R64
319-01189-01		SHIELD T807/808 MAINS FILTER Fitted to underside of board across output	400-00020-03		SLEEVING 1MM SIL RUBBER For Legs of R3, R11, 79A, R79B, R81 & R82
319-30030-01	8	SPACER A4M1115 T807/808 Between P.C.B. & Rails x6	400-00020-05		SLEEVING 1.5MM SIL RUBBER
319-40012-00		EARTH STRAP DC T807/808 Fitted to underside of board across input	400-00020-07		SLEEVING 2MM SIL RUBBER Goes over wire on L6.
345-00040-06	9	SCREW M3*8MM PAN POZI ST BZ SK-3 x2, Mounting Kit x2 (in bag)	410-01081-00		CRTN T800 KIWI REF22860 402X192X66MM
345-00040-12		SCREW M3X10MM CSK POZI ST BZ Mounting Kit x6 (in bag)	410-01082-00		CRTN 10 T800 KIWI REF24417 423X410X360
345-00040-17	10	SCREW M3*16MM CSK POZI ST BZ D43 x1			
345-00040-24	11	SCREW M3X20MM CSK POZI ST BZ Q1/Q2 Bracing Bracket x1			
349-00020-07	12	SCREW 4-40 X 5/16 PAN POZI TAPTITE BLACK Front x4, Rear x4, Cover x4			
349-00020-08	13	SCREW TAPTITE 4-40X3/8IN CSK POZI BZ Covers to rails x16			
349-00020-34	14	SCREW M3*12 PAN POZI TAPTITE BZ P.C.B. to rails x6			
352-00010-08	15	NUT M3 COLD FORM HEX ST BZ D43 x1, Mains Socket x2, IC2 x1, Mounting Kit x2 (in bag)			



T807
Mechanical Assembly
220-01183-07

T808 Parts List (IPN 220-01183-07)

How To Use This Parts List

The components listed in this parts list are divided into two main types: those with a circuit reference (e.g. C2, D1, R121, etc) and those without (miscellaneous and mechanical). Static sensitive devices are prefixed with (S).

Those with a circuit reference are grouped by component type in numerical order. Each component entry comprises three or four columns: the circuit reference, variant number (if applicable), IPN and description. A number in the variant column indicates that this component is fitted only to that variant.

The miscellaneous and mechanical section lists the parts in IPN order and where possible the legend indicates their position on the exploded view.

Parts List Amendments

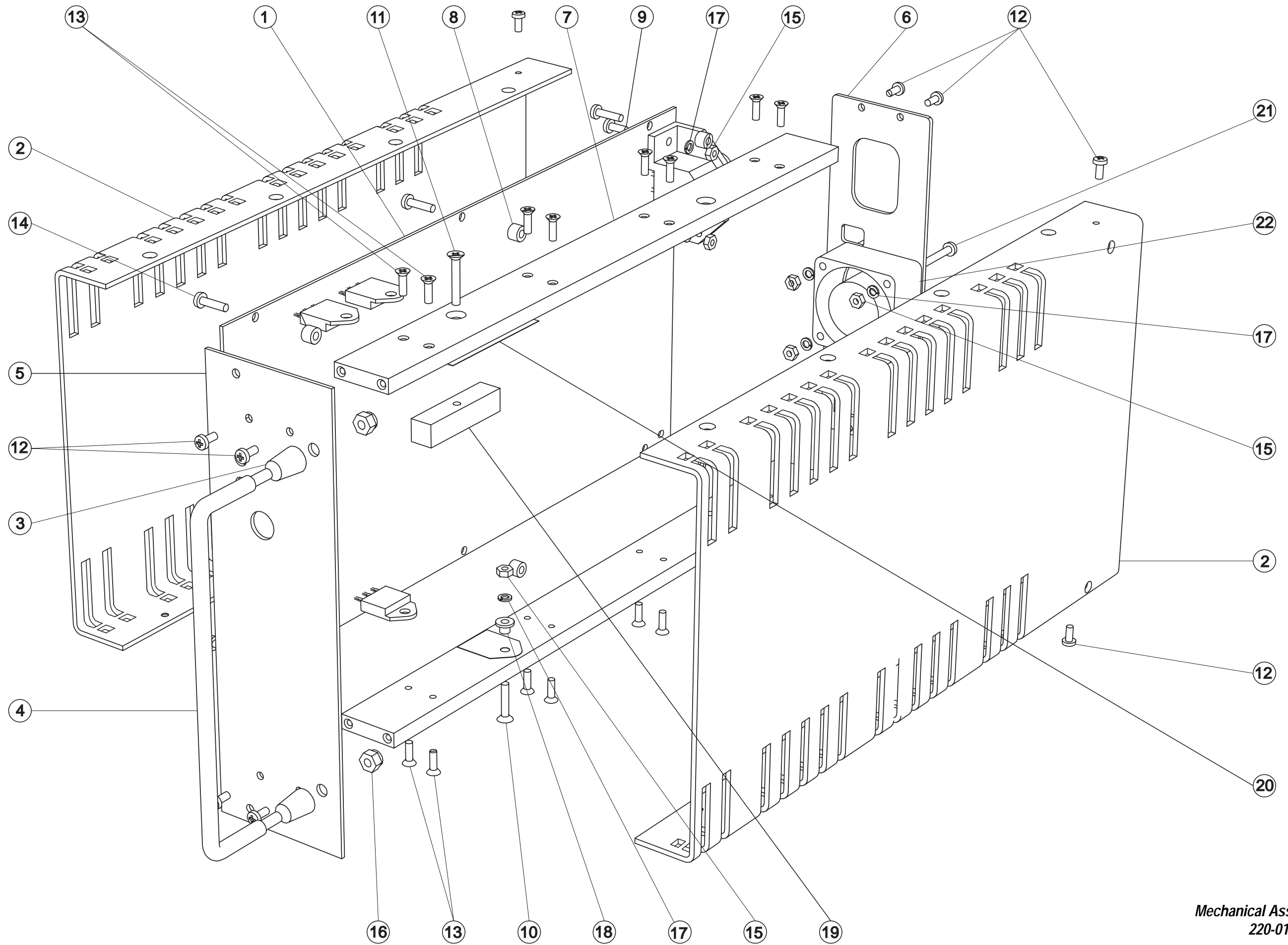
There were no amendments to the parts list at the time of publication.

Ref	Var	IPN	Description	Ref	Var	IPN	Description
C1		010-04470-09	CAP CERAMIC 4N7 +-20% 250VAC APPROVED	*C71		021-19330-02	CAP 3300M 16V ELEC 13*40 VERT
C2		010-04470-09	CAP CERAMIC 4N7 +-20% 250VAC APPROVED	*C72		021-19330-02	CAP 3300M 16V ELEC 13*40 VERT
C3		022-06680-04	CAP MYLAR 680N +- 20% 250VAC APPROVED	*C73		021-19330-02	CAP 3300M 16V ELEC 13*40 VERT
C4		022-06680-04	CAP MYLAR 680N +- 20% 250VAC APPROVED	C74		022-05470-04	CAP MYLAR 47N +-20% 250VAC APPROVED
C5		010-04470-09	CAP CERAMIC 4N7 +-20% 250VAC APPROVED	C75		022-05470-04	CAP MYLAR 47N +-20% 250VAC APPROVED
C5A		010-04470-09	CAP CERAMIC 4N7 +-20% 250VAC APPROVED	C78		020-09820-01	CAP 820M 16V ELECT 10X25MM
C6		010-04470-09	CAP CERAMIC 4N7 +-20% 250VAC APPROVED	C79		019-05470-00	CAP MONOLITHIC CER 47N 10% 50V X7R
C6A		010-04470-09	CAP CERAMIC 4N7 +-20% 250VAC APPROVED	C79		015-25100-08	CAP CER 0805 CHIP 10N 10% X7R 50V
*C9		021-09560-00	CAP 560UF ELECT 200V 105D 25DIA X40 10MML/S	C80		010-05100-09	CAP CER 10N +-20% 250VAC RATED
*C10		021-09560-00	CAP 560UF ELECT 200V 105D 25DIA X40 10MML/S	C81		010-05100-09	CAP CER 10N +-20% 250VAC RATED
*C11		021-09560-00	CAP 560UF ELECT 200V 105D 25DIA X40 10MML/S	C82		010-04100-04	CAP CER 1N 10% T/C B 400V
*C12		021-09560-00	CAP 560UF ELECT 200V 105D 25DIA X40 10MML/S	C83		015-06100-08	CAP CER 1206 CHIP 100N 10% X7R 50V
*C13		024-07100-00	CAP 1M 250VDC 5% POLYPROP.22.5 L/S	C84		019-05470-00	CAP MONOLITHIC CER 47N 10% 50V X7R
*C14		024-07100-00	CAP 1M 250VDC 5% POLYPROP.22.5 L/S	C85		011-52330-01	CAP CER AI 33P 5% N150 50/63V
*C15		010-03470-03	CAP 470P T/C B 10% 6KV CER 11MM DIA 10MM	C86		022-54100-10	CAP MYLAR AI 1N 5% 63V POTTED
C16		025-07100-01	CAP TANT BEAD 1M 35V	C87		022-54220-10	CAP MYLAR AI 2N2 5% 63V POTTED
C17		011-53470-02	CAP CER AI 470P 10% T/C B 63V	C88		022-55470-10	CAP MYLAR AI 47N 5% 63V POTTED
C18		011-03680-01	CAP CER 680P 10% N1K5 50/63V	C89		011-52220-01	CAP CER AI 22P 5% N150 50/63V
C19		019-55100-01	CAP MONOLITHIC AI 10N 5% COG 50V	C90		010-04100-04	CAP CER 1N 10% T/C B 400V
C20		010-04100-04	CAP CER 1N 10% T/C B 400V	C91		010-04100-04	CAP CER 1N 10% T/C B 400V
C21		022-55470-10	CAP MYLAR AI 47N 5% 63V POTTED	C92		010-04220-09	CAP CER 2N2 10% 250VAC APPROVED
C22		022-55470-10	CAP MYLAR AI 47N 5% 63V POTTED	C93		010-04220-09	CAP CER 2N2 10% 250VAC APPROVED
C23		020-08470-07	CAP ELECT RADL 47M 16V 8X11.5MM HI TEMP	C95		011-54100-01	CAP CER AI 1N 10% T/C B 63V
C24		020-07100-04	CAP ELECT RADL 1M 63V 8X12MM HI TEMP	C96		022-56100-10	CAP MYLAR AI 100N 5% 63V POTTED
C25		025-08100-03	CAP 10M 35V 20% TANT 5MM L/S	C98		025-08100-03	CAP 10M 35V 20% TANT 5MM L/S
C26		011-54100-01	CAP CER AI 1N 10% T/C B 63V	C99		011-52220-01	CAP CER AI 22P 5% N150 50/63V
C27		011-54100-01	CAP CER AI 1N 10% T/C B 63V	C100		011-03100-06	CAP CER 100P 5% N750 50/63V
C31		011-54100-01	CAP CER AI 1N 10% T/C B 63V	C102		010-03220-09	CAP CER 220P +-10% 250 VAC APPROVED
C32		011-54100-01	CAP CER AI 1N 10% T/C B 63V	C104		011-54100-01	CAP CER AI 1N 10% T/C B 63V
C33		019-05470-00	CAP MONOLITHIC CER 47N 10% 50V X7R	*C112		010-04470-09	CAP CERAMIC 4N7 +-20% 250VAC APPROVED
C34		025-08100-03	CAP 10M 35V 20% TANT 5MM L/S	*C113		010-04470-09	CAP CERAMIC 4N7 +-20% 250VAC APPROVED
C35		011-54100-01	CAP CER AI 1N 10% T/C B 63V	*C120		010-04100-04	CAP CER 1N 10% T/C B 400V
C37		020-19220-04	CAP 2200M ELEC 35V 16X35 L ESR	*C121		010-04100-04	CAP CER 1N 10% T/C B 400V
C38		019-05470-00	CAP MONOLITHIC CER 47N 10% 50V X7R	D1		001-00012-30	(S) DIODE 6A6 MR 756 BY214-600 6A/600V
C39		019-05470-00	CAP MONOLITHIC CER 47N 10% 50V X7R	D2		001-00012-30	(S) DIODE 6A6 MR 756 BY214-600 6A/600V
C42		011-54100-01	CAP CER AI 1N 10% T/C B 63V	D3		001-00012-30	(S) DIODE 6A6 MR 756 BY214-600 6A/600V
C43		011-54100-01	CAP CER AI 1N 10% T/C B 63V	D4		001-00012-30	(S) DIODE 6A6 MR 756 BY214-600 6A/600V
C44		025-07100-01	CAP TANT BEAD 1M 35V	D5		001-50012-05	(S) DIODE AI 1N4531 SI SMALL SIG
C45		011-54100-01	CAP CER AI 1N 10% T/C B 63V	D6		001-50012-05	(S) DIODE AI 1N4531 SI SMALL SIG
C46		011-54100-01	CAP CER AI 1N 10% T/C B 63V	D7		001-50012-05	(S) DIODE AI 1N4531 SI SMALL SIG
C49		019-05470-00	CAP MONOLITHIC CER 47N 10% 50V X7R	D8		001-50012-05	(S) DIODE AI 1N4531 SI SMALL SIG
C50		025-08100-03	CAP 10M 35V 20% TANT 5MM L/S	D11		001-50012-05	(S) DIODE AI 1N4531 SI SMALL SIG
C51		010-04100-04	CAP CER 1N 10% T/C B 400V	D12		001-50012-05	(S) DIODE AI 1N4531 SI SMALL SIG
C54		011-54100-01	CAP CER AI 1N 10% T/C B 63V	D13		008-00014-73	(S) LED HLMP5050 GREEN RT ANGLE PCB MTG
C55		019-05470-00	CAP MONOLITHIC CER 47N 10% 50V X7R	D14		001-00012-23	(S) DIODE BYV26C 1A/400V FAST SWITCH
C56		025-08100-03	CAP 10M 35V 20% TANT 5MM L/S	*D15		001-00011-06	(S) DIODE MUR440 ULTRAFAST 400V 4A
C57		025-08100-03	CAP 10M 35V 20% TANT 5MM L/S	*D18		001-00011-06	(S) DIODE MUR440 ULTRAFAST 400V 4A
C59		011-54100-01	CAP CER AI 1N 10% T/C B 63V	D19		001-00012-23	(S) DIODE BYV26C 1A/400V FAST SWITCH
C60		017-15470-01	CAP CER SURFACE BARRIER 47N 20% 50V	D20		001-50012-05	(S) DIODE AI 1N4531 SI SMALL SIG
C61		025-08100-03	CAP 10M 35V 20% TANT 5MM L/S	D21		001-50012-05	(S) DIODE AI 1N4531 SI SMALL SIG
C62		019-05470-00	CAP MONOLITHIC CER 47N 10% 50V X7R	D22		001-00013-40	(S) DIODE SCHOTTKY BAT85 0.2A/30V
C63		022-57100-02	CAP MYLAR AI 1M 20% 50V POTTED	D23		008-00014-74	(S) LED HLMP5030 RED RT ANGLE PCB MTG
C65		020-09470-07	CAP 470M 16V 20% ELEC VERT 8*20 3.5MM L/S LO-ESR	D24		001-00011-70	(S) DIODE 1N4001 1A/50V
C66		024-14470-01	CAP METAL POLYPR RADL 4N7 10% 400VAC	D25		001-00011-70	(S) DIODE 1N4001 1A/50V
C67		024-14470-01	CAP METAL POLYPR RADL 4N7 10% 400VAC	D26		001-00011-70	(S) DIODE 1N4001 1A/50V
*C68		021-19330-02	CAP 3300M 16V ELEC 13*40 VERT	D27		001-00011-70	(S) DIODE 1N4001 1A/50V
*C69		021-19330-02	CAP 3300M 16V ELEC 13*40 VERT	D30		001-00011-70	(S) DIODE 1N4001 1A/50V
*C70		021-19330-02	CAP 3300M 16V ELEC 13*40 VERT	D31		001-00015-19	(S) DIODE ZENER 5V6 0.4W 2% BZX79/B5V6

Ref	Var	IPN	Description	Ref	Var	IPN	Description
D32		008-00014-74	(S) LED HLMP5030 RED RT ANGLE PCB MTG	R45		030-56100-20	RES FILM AI 100K 5% 0.4W 4X1.6MM
D36		001-50012-05	(S) DIODE AI 1N4531 SI SMALL SIG	R46		030-55100-20	RES FILM AI 10K 5% 0.4W 4X1.6MM
D37		001-50012-05	(S) DIODE AI 1N4531 SI SMALL SIG	R47		030-52220-20	RES FILM AI 22E 5% 0.4W 4X1.6MM
D38		001-50012-05	(S) DIODE AI 1N4531 SI SMALL SIG	R48		030-55150-20	RES FILM AI 15K 5% 0.4W 4X1.6MM
D41		001-50012-05	(S) DIODE AI 1N4531 SI SMALL SIG	R49		049-00140-10	VARISTOR 140VRMS 180VDC 42 JOULES
D43		001-00011-45	(S) DIODE DUAL 30A/90V 30CPQ90	R50		030-54220-20	RES FILM AI 2K2 5% 0.4W 4X1.6MM
*F1		265-00010-24	FUSE 8AMP 5*20MM SLOW BLOW	R51		030-55100-20	RES FILM AI 10K 5% 0.4W 4X1.6MM
FC1		340-00010-07	FUSE CLIP PCB MTG 5MM FUSE	R52		030-56180-20	RES FILM AI 180K 5% 0.4W 4X1.6MM
FC2		340-00010-07	FUSE CLIP PCB MTG 5MM FUSE	R53		030-55330-20	RES FILM AI 33K 5% 0.4W 4X1.6MM
IC1		002-00012-40	(S) IC 358 DUAL OP AMP	R54B		030-55330-20	RES FILM AI 33K 5% 0.4W 4X1.6MM
IC2		002-00010-81	(S) IC 7815 +15V 1AMP TO -220 3PIN	R55		045-05100-01	RES NTC 10K 5% 5MM DISC
IC3		002-00012-40	(S) IC 358 DUAL OP AMP	R56		030-55100-20	RES FILM AI 10K 5% 0.4W 4X1.6MM
IC4		002-00016-61	(S) IC 3525A SMPS CTRL	R57		030-55270-20	RES FILM AI 27K 5% 0.4W 4X1.6MM
IC5		002-00010-75	(S) IC TSC426 DRIVER INVERTING MOSFET 8PIN	R58		030-55100-20	RES FILM AI 10K 5% 0.4W 4X1.6MM
IC6		002-00010-75	(S) IC TSC426 DRIVER INVERTING MOSFET 8PIN	R59		030-57100-20	RES FILM AI 1M 5% 0.4W 4X1.6MM
IC7		002-00020-58	(S) IC CNX62A OPTOCOUPLER 250VAC APPRVED	R60		030-55100-20	RES FILM AI 10K 5% 0.4W 4X1.6MM
IC8		002-00014-15	(S) IC TL431 SHUNT REG TO-92	R61		030-57100-20	RES FILM AI 1M 5% 0.4W 4X1.6MM
L1		056-00010-50	CHOKO 16UH +20% DIFF MODE	R62		030-54680-20	RES FILM AI 6K8 5% 0.4W 4X1.6MM
L1A		056-00010-50	CHOKO 16UH +20% DIFF MODE	R63		030-52330-20	RES FILM AI 33E 5% 0.4W 4X1.6MM
L2		056-00010-36	CHOKO FLTR 0.5MH COMM MODE	R64		030-52220-20	RES FILM AI 22E 5% 0.4W 4X1.6MM
L3		056-00021-20	IND FXD 2MH 5AMP TOROIDAL	R65		030-54150-20	RES FILM AI 1K5 5% 0.4W 4X1.6MM
L4		065-00010-11	BEAD FERRITE 4S3 3*1*4MM RED	R66		030-54150-20	RES FILM AI 1K5 5% 0.4W 4X1.6MM
L5		065-00010-11	BEAD FERRITE 4S3 3*1*4MM RED	R67		030-55100-20	RES FILM AI 10K 5% 0.4W 4X1.6MM
L6		069-00010-29	TOROID CORE FERRITE TN14/9/5 4A11 x5	R68		030-56100-20	RES FILM AI 100K 5% 0.4W 4X1.6MM
L7		065-00010-11	BEAD FERRITE 4S3 3*1*4MM RED	R69		030-53680-20	RES FILM AI 680E 5% 0.4W 4X1.6MM
L8		065-00010-11	BEAD FERRITE 4S3 3*1*4MM RED	R70		030-53270-20	RES FILM AI 270E 5% 0.4W 4X1.6MM
L9		065-00010-04	BEAD FERRITE F8 4X2X5MM	R71		030-54330-20	RES FILM AI 3K3 5% 0.4W 4X1.6MM
L10		065-00010-04	BEAD FERRITE F8 4X2X5MM	R72		030-52100-20	RES FILM AI 10E 5% 0.4W 4X1.6MM
L12		065-00010-08	BEAD FERRITE 4S3 3*0.7*10MM RED	R73		030-55100-20	RES FILM AI 10K 5% 0.4W 4X1.6MM
L13		065-00010-08	BEAD FERRITE 4S3 3*0.7*10MM RED	R74		030-54470-20	RES FILM AI 4K7 5% 0.4W 4X1.6MM
L14		065-00010-08	BEAD FERRITE 4S3 3*0.7*10MM RED	R75		030-54470-20	RES FILM AI 4K7 5% 0.4W 4X1.6MM
L15		065-00010-08	BEAD FERRITE 4S3 3*0.7*10MM RED	R76		030-54680-20	RES FILM AI 6K8 5% 0.4W 4X1.6MM
Note: Fit L4 & L5 On Leads Of C20 Fit L7 & L8 On Leads Of C51 Fit L9 Over Body Of R17 Fit L10 Over Body Of R19 Fit L12 & L13 On Leads Of R83 Fit L14 & L15 On Leads Of R84				R79A		032-32100-01	RES M/F PWR 10E 2.5W 17X5MM
				R79B		032-32100-01	RES M/F PWR 10E 2.5W 17X5MM
				R80		030-54100-20	RES FILM AI 1K 5% 0.4W 4X1.6MM
				R80A		030-52100-20	RES FILM AI 10E 5% 0.4W 4X1.6MM
				R80B		030-54180-20	RES FILM AI 1K8 5% 0.4W 4X1.6MM
				*R81		032-33120-01	RES M/F PWR 120E 5% 17*5 2.5 W
				RV81		042-05100-06	RES PRESET 10K CARBON 6MM FLAT
				*R82		032-33120-01	RES M/F PWR 120E 5% 17*5 2.5 W
				R83		030-52220-20	RES FILM AI 22E 5% 0.4W 4X1.6MM
				R84		030-52220-20	RES FILM AI 22E 5% 0.4W 4X1.6MM
				R85		030-08100-31	RES M/F 10M 3.5KV VR37 10*4MM
				R86		030-55470-20	RES FILM AI 47K 5% 0.4W 4X1.6MM
				R87		030-53100-20	RES FILM AI 100E 5% 0.4W 4X1.6MM
				R88		030-54100-20	RES FILM AI 1K 5% 0.4W 4X1.6MM
				R89		030-54470-20	RES FILM AI 4K7 5% 0.4W 4X1.6MM
				R90		030-55470-20	RES FILM AI 47K 5% 0.4W 4X1.6MM
				R91		030-54100-20	RES FILM AI 1K 5% 0.4W 4X1.6MM
				RV92		042-03470-06	RES PRESET 470E CARBON 6MM FLAT
				R93		030-53820-20	RES FILM AI 820E 5% 0.4W 4X1.6MM
				R94		030-54120-20	RES FILM AI 1K2 5% 0.4W 4X1.6MM
				R95		030-55680-20	RES FILM AI 68K 5% 0.4W 4X1.6MM
				R96		030-54680-20	RES FILM AI 6K8 5% 0.4W 4X1.6MM
				R98		030-55100-20	RES FILM AI 10K 5% 0.4W 4X1.6MM
				R99		030-54100-20	RES FILM AI 1K 5% 0.4W 4X1.6MM
				R100		030-55560-20	RES FILM AI 56K 5% 0.4W 4X1.6MM
				R101		030-55560-20	RES FILM AI 56K 5% 0.4W 4X1.6MM
				R102		030-56470-20	RES FILM AI 470K 5% 0.4W 4X1.6MM
				R103		030-55560-20	RES FILM AI 56K 5% 0.4W 4X1.6MM
				R104		030-55100-20	RES FILM AI 10K 5% 0.4W 4X1.6MM
				R105		030-54100-20	RES FILM AI 1K 5% 0.4W 4X1.6MM
				R106		030-53100-20	RES FILM AI 100E 5% 0.4W 4X1.6MM
				R107		030-53100-20	RES FILM AI 100E 5% 0.4W 4X1.6MM
				RLY1		237-00010-30	RELAY 12V COIL 240V 10A SPDT
				SW1		233-00010-07	SWITCH DPDT 115/230V 6PIN
				SW2		232-00020-28	PUSH SWITCH PCB MTG
				SK-3		240-00010-23	PLUG 3 PIN 10AMP 250V PCB MTG
				SK-4		240-04030-06	TRMNL BLOCK 1WAY PC MT PHOENIX
				SK-5		240-04030-06	TRMNL BLOCK 1WAY PC MT PHOENIX
				SK-6		240-04030-07	TERML BLK PCB MTG 1WAY FRT 2.5H/SA10
				SK-7		240-04030-07	TERML BLK PCB MTG 1WAY FRT 2.5H/SA10
				SK-8		240-04030-07	TERML BLK PCB MTG 1WAY FRT 2.5H/SA10
				T1		053-00010-58	XFMR T4073 T807/808 SWITCHING
				T2		053-00010-59	XFMR T4074 T807/808 CURRENT SENSE
				T3		053-01060-02	XFMR T4075 T807/808 MOSFET DRIVE
				T4		053-00010-63	XFMR T4079 MAINS 5VA 18V
				*T5		056-00010-49	CHOKO T4080 T808 DIFFNL MODE ETD39
				T6		056-00010-38	CHOKO T4071 T807-808 DIFFNL MODE
				TC1		239-00010-06	SW THERM PEP1 100C BARE TERML.C/W SLEEVE

T808 Mechanical & Miscellaneous Parts (220-01183-07)

IPN	Legend	Description	IPN	Legend	Description
200-00010-35		WIRE T/C 1.5MM ² /1.4MM For L6. 35mm	349-00020-08	13	SCREW TAPTITE 4-40X3/8IN CSK POZI BZ Covers to rails x16
201-00051-15		WIRE APPLC 1MM ² GREEN HI TEMP PVC85 For Earth Lead	349-00020-34	14	SCREW M3*12 PAN POZI TAPTITE BZ P.C.B. to rails x6
201-00060-09		WIRE REMIT 0.8MM ² PVC WHITE For Cut Out Switch on T1	352-00010-08	15	NUT M3 COLD FORM HEX ST BZ D43 x1, Mains Socket x2, IC2 x1, Fan x4, Mounting Kit x2 (in bag)
209-00010-26		TAPE COPPER 19MM * 0.08MM SCOTCH 1181 For taping switch to T1	352-00010-29	16	NUT M4 NYLOC HEX Handle x2
220-01183-07	1	PCB T807/T808 SMPS 2 OUNCE COPPER	353-00010-10		WASHER M3 FLAT 7MM*0.6MM ST BZ Mounting Kit x2 (in bag)
240-02010-22		SKT MAINS 3PIN FLEX 2M/10A	353-00010-12	17	WASHER M3 SPRING BZ OR Z/C D43 x1, Mains Socket x2, IC2 x1, Fan x4
*240-04020-72		SOCKET HOUSING 2 WAY MTG ULTREX To connect fan to PL-2	356-00020-06		RECEPTL 6.3MM QUICK CONN FLARED INS For Earth Lead
*240-04020-76		SKT RECEPTACLES WIRE CRIMP ULTREX To connect fan to PL-2	356-00020-07		RECEPTL M3.5QUICK CONN M3.5 OPEN END For Earth Lead
240-06010-27		BLANKING PLATE 2.5MM GREEN Fitted to SK-8	356-00020-21		TAB 6.3MM RT ANGLE SPADE CAR QCK CONN PCB Mounted Earth Connector
*258-00010-04	22	FAN 12V 40 x 40 x 20 TUBE AXIAL Mount to rear panel	362-00010-13	18	BUSH INSULATING 1.1MM TOP HAT D43 Mounting x1
303-23128-02	2	COVR SIDE A2M2403/2 T807/808 COMP SCRNB	362-01024-00	19	INSULATOR 54*30 AS PER DRWG A4M2431 Q1/Q2 x1, D43 x1
306-01010-00	3	FERRULE A4M948 HANDLE FXD EQUIP Place on handle x2	362-01052-00	20	XSTR CLAMPING BRKT T807/808 A4M2407 Bracing bracket for Q1 & Q2 x1
307-02029-00		GUIDE REAR T807/808 A3M2409 Packed in box x2	365-00011-54		LABEL WHITE RW 1556/2 90X24MM SPEC AD For outside of box
308-01007-00	4	HANDLE A4M949 FXD EQUIP Front Panel	365-00013-59		LABEL T807/808 HI VOLT WARNING A4A651
308-13088-00		HSINK CLIP ON 14 OR 16 DIP INT CCTS ICs 4, 5 & 6	365-00100-05		LABEL BLANK 50X9MM S/A METLSD POLYES Mounting Kit x1 (in bag) NB/ Label is to be placed over top of screened version on panel if power supply is to be 115 Volts
308-13091-00		HSINK PCB MTG TO-220 Heatsink for IC2 mounting to PCB	365-01391-01		LABEL BLNK 30X10.8MM TAMPERMARK VOID Ser No x1, Job No x1, Rev No x1 & Elec Insp x1
311-00010-39		KNOB RED PLASTIC ROUND Pushes on to SW2	365-01500-00		LABEL CE CONFORMITY 12*24MM
316-06399-01	5	PNL FRT COMPL T807 A3M2405/2	369-00020-52		TAPE ELECT INSULATION UL APPRVD 130°C For T4
316-21176-02	6	PNL REAR A3M2427/2 T807 COMPL SCRNB	399-00010-10		RUBBER BAND NO 33
318-01018-00	7	RAIL CHASSIS T807/808 A3M2404 Attached to PCB x2	399-00010-51		BAG PLASTIC 75*100MM For Mounting Kit
319-01189-01		SHIELD T807/808 MAINS FILTER Fitted to underside of board across output	400-00020-01		SLEEVING 0.7MM SIL RUBBER For Legs of R13A, R47 & R64
319-30030-01	8	SPACER A4M1115 T807/808 Between P.C.B. & Rails x6	400-00020-03		SLEEVING 1MM SIL RUBBER For Legs of R3, R11, 79A, R79B, R81 & R82
319-40012-00		EARTH STRAP DC T807/808 Fitted to underside of board across input	400-00020-05		SLEEVING 1.5MM SIL RUBBER
345-00040-06	9	SCREW M3*8MM PAN POZI ST BZ SK-3 x2, Mounting Kit x2 (in bag)	400-00020-07		SLEEVING 2MM SIL RUBBER Goes over wire on L6.
345-00040-12		SCREW M3X10MM CSK POZI ST BZ Mounting Kit x6 (in bag)	410-01081-00		CRTN T800 KIWI REF22860 402X192X66MM
345-00040-17	10	SCREW M3*16MM CSK POZI ST BZ D43 x1	410-01082-00		CRTN 10 T800 KIWI REF24417 423X410X360
*345-00040-19	21	SCREW M3*25MM PAN POZI ST BZ Fan x4			
345-00040-24	11	SCREW M3X20MM CSK POZI ST BZ Q1/Q2 Bracing Bracket x1			
349-00020-07	12	SCREW 4-40 X 5/16 PAN POZI TAPTITE BLACK Front x4, Rear x4, Cover x4			



T808
Mechanical Assembly
220-01183-07

T807/808 Grid Reference Index (IPN 220-01183-07)

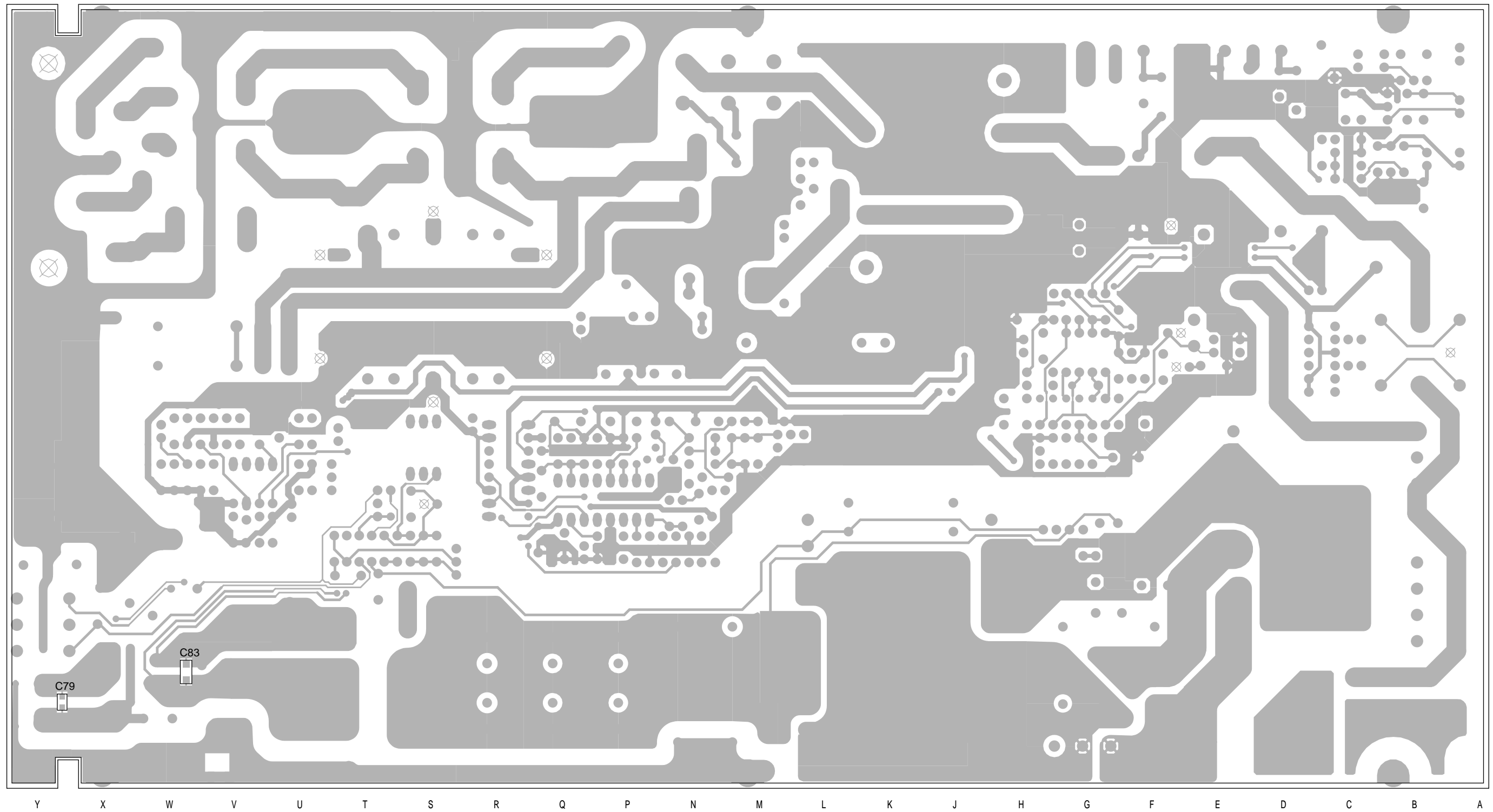
How To Use This Grid Reference Index

The first digit in the PCB layout reference is a "1" or "2", indicating the top or bottom side layout respectively, and the last two characters give the location of the component on that diagram.

The first digit in the circuit diagram reference is the sheet number, and the last two characters give the location of the component on that sheet.

Device	PCB	Circuit	Device	PCB	Circuit	Device	PCB	Circuit	Device	PCB	Circuit
C1	1:U10	1-C6	*C72	1:Q3	1-M8	D38	1:C10	1-J6	R6	1:L10	1-G5
C2	1:U12	1-C5	*C73	1:R3	1-N8	D41	1:G4	1-J8	R7	1:M10	1-G5
C3	1:T11	1-C6	C74	1:M2	1-L9	*D43	1:G2	1-H9	R8	1:L10	1-G5
C4	1:P11	1-D6	C75	1:N2	1-L8			1-H9	R9	1:G10	1-H5
C5	1:Q10	1-D6	C78	1:W3	1-Q9	*FAN	1:Z8	1-J0	R11	1:D2	1-H6
C5A	1:Q10	1-D6	C79	2:Y2	1-R9	*F1	1:V10	1-B6	*R12	1:C7	1-J4
C6	1:Q12	1-D5	C80	1:V2	1-P9	HS	1:P7	2-C0	R13A	1:B10	1-K5
C6A	1:Q12	1-D5	C81	1:V4	1-P8	IC1	1:G8	1-M4	R13B	1:B11	1-K5
*C9	1:K9	1-F6	C82	1:Y4	1-R7			1-Q3	R14	1:C11	1-K5
*C10	1:H11	1-G6	C83	2:W3	1-P8			1-M0	*R17	1:F12	1-M5
*C11	1:H9	1-F5	C84	1:R7	1-N6	IC2	1:P7	1-D3	R18	1:F12	1-L5
*C12	1:K11	1-G5	C85	1:S4	1-P6	IC3	1:U5	1-G2	*R19	1:D12	1-M5
*C13	1:J8	1-H5	C86	1:N4	1-P5			1-G0	R20	1:D12	1-L4
*C14	1:L8	1-H6	C87	1:N5	1-P5			1-D1	R24	1:E8	1-K4
*C15	1:D3	1-H5	C88	1:N5	1-Q5	IC4	1:Q6	1-L0	RV25	1:F8	1-K4
C16	1:B11	1-K5	C89	1:N5	1-R5	IC5	1:R5	1-M1	R26	1:E8	1-K3
C17	1:C8	1-J4	C90	1:X4	1-R6			1-N1	R27	1:G6	1-L4
C18	1:C11	1-K6	C91	1:X4	1-R5			1-L0	R28	1:G6	1-L4
C19	1:G8	1-L6	C92	1:W1	1-R8	IC6	1:R6	1-M1	R29	1:H6	1-L3
C20	1:C12	1-K4	C93	1:W1	1-R8			1-N1	R30	1:G7	1-M4
C21	1:D8	1-J3	C95	1:T5	1-P8			1-L0	R32	1:G6	1-M4
C22	1:G6	1-L4	C96	1:N6	1-J1	IC7	1:S6	1-N6	R33	1:G7	1-M3
C23	1:F6	1-M4	C98	1:N7	1-G1	IC8	1:S4	1-P5	R34	1:G7	1-M3
C24	1:F7	1-M3	C99	1:P7	1-K1	I/OPAD1	1:V5	1-F2	R35	1:G8	1-N3
C25	1:N6	1-M2	C100	1:G7	1-M4	I/OPAD2	1:V5	1-F2	R36	1:M6	1-M3
C26	1:M6	1-M2	C102	1:X11	1-B6	L1	1:X12	1-A5	R37	1:M6	1-N2
C27	1:L6	1-N2	C104	1:H8	1-P1	L1A	1:X10	1-A6	R38	1:M6	1-N2
C31	1:E7	1-Q3	*C112	1:U10	1-C6	L2	1:V11	1-B6	R39	1:C11	1-J6
C32	1:G8	1-Q3	*C113	1:U12	1-C5	L3	1:S11	1-C6	R40	1:C10	1-K6
C33	1:H8	1-M0	*C120	1:X10	1-A6	L4	1:C12	1-K3	R41	1:H7	1-N3
C34	1:H8	1-N0	*C121	1:W12	1-A5	L5	1:C12	1-K4	R43	1:C7	1-K6
C35	1:C12	1-Q1	D1	1:N10	1-F6	L6	1:W3	1-Q9	R44	1:G8	1-Q3
C37	1:P9	1-C2	D2	1:N9	1-F6	L7	1:W5	1-D0	R45	1:C10	1-K6
C38	1:N7	1-D2	D3	1:N8	1-F6	L8	1:W5	1-D0	R46	1:G7	1-K0
C39	1:P7	1-E2	D4	1:M9	1-F6	L9	1:F11	1-M5	R47	1:G6	1-N0
C42	1:W7	1-E2	D5	1:D7	1-J4	L10	1:D11	1-M5	R48	1:F7	1-P3
C43	1:V5	1-F2	D6	1:D8	1-J4	L12	1:T4	1-Q8	R49	1:N10	1-B2
C44	1:U5	1-F2	D7	1:C8	1-J3	L13	1:T4	1-Q7	R50	1:V6	1-E2
C45	1:W6	1-F1	D8	1:C7	1-J3	L14	1:T4	1-Q7	R51	1:W7	1-F2
C46	1:W6	1-F0	D11	1:C12	1-H2	L15	1:T4	1-Q7	R52	1:V5	1-G3
C49	1:U6	1-D1	D12	1:B11	1-K5	PL-1	1:D9	1-E0	R53	1:U7	1-F2
C50	1:V6	1-E1	D13	1:A11	1-K5	*PL-2	1:T6	1-H0	R54B	1:U5	1-F2
C51	1:W5	1-D0	D14	1:G11	1-L6	*Q1	1:G12	1-L5	R55	1:W6	1-E1
C54	1:P5	1-K0	*D15	1:G12	1-L6	*Q2	1:E12	1-L4	R56	1:W6	1-F0
C55	1:Q5	1-K2	*D18	1:E12	1-L5	Q3	1:H6	1-L3	R57	1:W6	1-F1
C56	1:P4	1-K2	D19	1:E11	1-L4	Q4	1:M6	1-N2	R58	1:W6	1-F0
C57	1:Q5	1-K2	D20	1:H7	1-N4	Q6	1:U6	1-H0	R59	1:V5	1-G1
C59	1:P6	1-K1	D21	1:H7	1-P4	Q7	1:B11	1-J2	R60	1:F7	1-P3
C60	1:Q5	1-M2	D22	1:N6	1-M3	Q8	1:T5	1-N7	R61	1:G8	1-Q3
C61	1:Q7	1-K0	D23	1:A12	1-R2	Q9	1:H5	1-K8	R62	1:U6	1-G0
C62	1:Q6	1-K0	D24	1:Q8	1-C2	Q10	1:B12	1-R2	R63	1:U6	1-H0
C63	1:H7	1-N1	D25	1:P8	1-C2	Q11	1:P6	1-H1	R64	1:V6	1-D1
C65	1:G5	1-K8	D26	1:N8	1-C2	Q12	1:P6	1-H1	R65	1:B11	1-J3
C66	1:G3	1-H8	D27	1:P8	1-C2	Q13	1:M7	1-J1	R66	1:B11	1-J3
C67	1:F3	1-J8	D30	1:U7	1-F3	R1	1:X9	1-A6	R67	1:C11	1-J2
*C68	1:P2	1-L8	D31	1:V6	1-F2	R2	1:N11	1-E6	R68	1:C12	1-Q1
*C69	1:Q2	1-L8	D32	1:A11	1-J2	R3	1:U8	1-E6	R69	1:B12	1-R2
*C70	1:R2	1-M8	D36	1:Q6	1-L1	R4	1:M8	1-G6	R70	1:P5	1-L2
*C71	1:P3	1-M8	D37	1:Q6	1-M1	R5	1:L10	1-G6	R71	1:P6	1-K1

<u>Device</u>	<u>PCB</u>	<u>Circuit</u>	<u>Device</u>	<u>PCB</u>	<u>Circuit</u>	<u>Device</u>	<u>PCB</u>	<u>Circuit</u>	<u>Device</u>	<u>PCB</u>	<u>Circuit</u>
R72	1:P6	1-K1									
R73	1:P4	1-K0									
R74	1:Q6	1-M2									
R75	1:Q6	1-M2									
R76	1:H8	1-Q2									
R79A	1:G2	1-H9									
R79B	1:G2	1-J9									
R80	1:T4	1-J9									
R80A	1:F4	1-J8									
R80B	1:G5	1-K8									
*R81	1:J5	1-K9									
RV81	1:F7	1-P3									
*R82	1:J5	1-K9									
R83	1:T5	1-Q7									
R84	1:T5	1-Q7									
R85	1:T2	1-P9									
R86	1:T4	1-N7									
R87	1:T4	1-P6									
R88	1:S5	1-P6									
R89	1:T4	1-Q6									
R90	1:S4	1-P6									
R91	1:N4	1-N5									
RV92	1:S5	1-Q5									
R93	1:T5	1-Q5									
R94	1:P5	1-Q5									
R95	1:N5	1-Q4									
R96	1:N5	1-R5									
R98	1:U4	1-P7									
R99	1:W4	1-P7									
R100	1:N6	1-H1									
R101	1:Q6	1-H1									
R102	1:N6	1-J1									
R103	1:N5	1-J1									
R104	1:N5	1-J1									
R105	1:M7	1-J1									
R106	1:H7	1-N4									
R107	1:H7	1-P4									
RLY1	1:V8	1-J9									
		1-F6									
SW1	1:N12	1-E5									
		1-A3									
SW2	1:C9	1-J3									
SK-1		1-E0									
SK-2	1:X7	1-H0									
SK-3	1:X10	1-A4									
SK-4	1:X2	1-R9									
SK-5	1:X3	1-R8									
SK-6	1:Y3	1-R6									
SK-7	1:Y3	1-R6									
SK-8	1:Y4	1-R7									
T1	1:C5	1-J5									
T2	1:B8	1-J5									
T3	1:F10	1-M4									
T4	1:S8	1-B2									
*T5	1:K3	1-K8									
T6	1:T3	1-P8									
TAB-1	1:Y8	1-A7									
TC1		1-E3									
TP1	1:N7	1-G6									
TP2	1:G10	1-G5									
TP3	1:D8	1-J4									
TP4	1:L7	1-B0									
TP5	1:C9	1-E3									
TP6	1:K7	1-P1									
TP7	1:J7	1-P1									



T807/808 PCB Layout
Bottom Side
220-01183-07

13

12

11

10

9

8

7

6

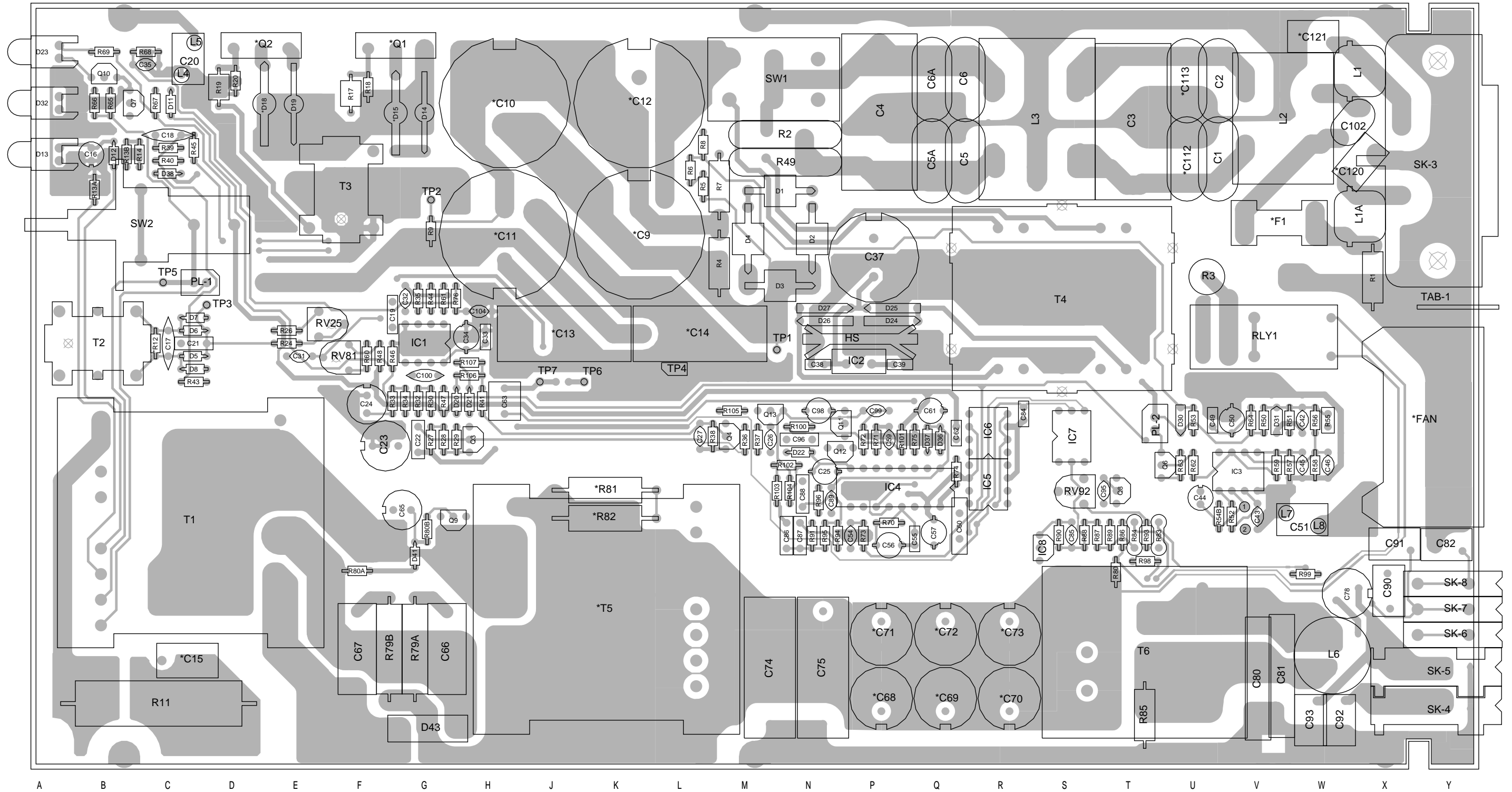
5

4

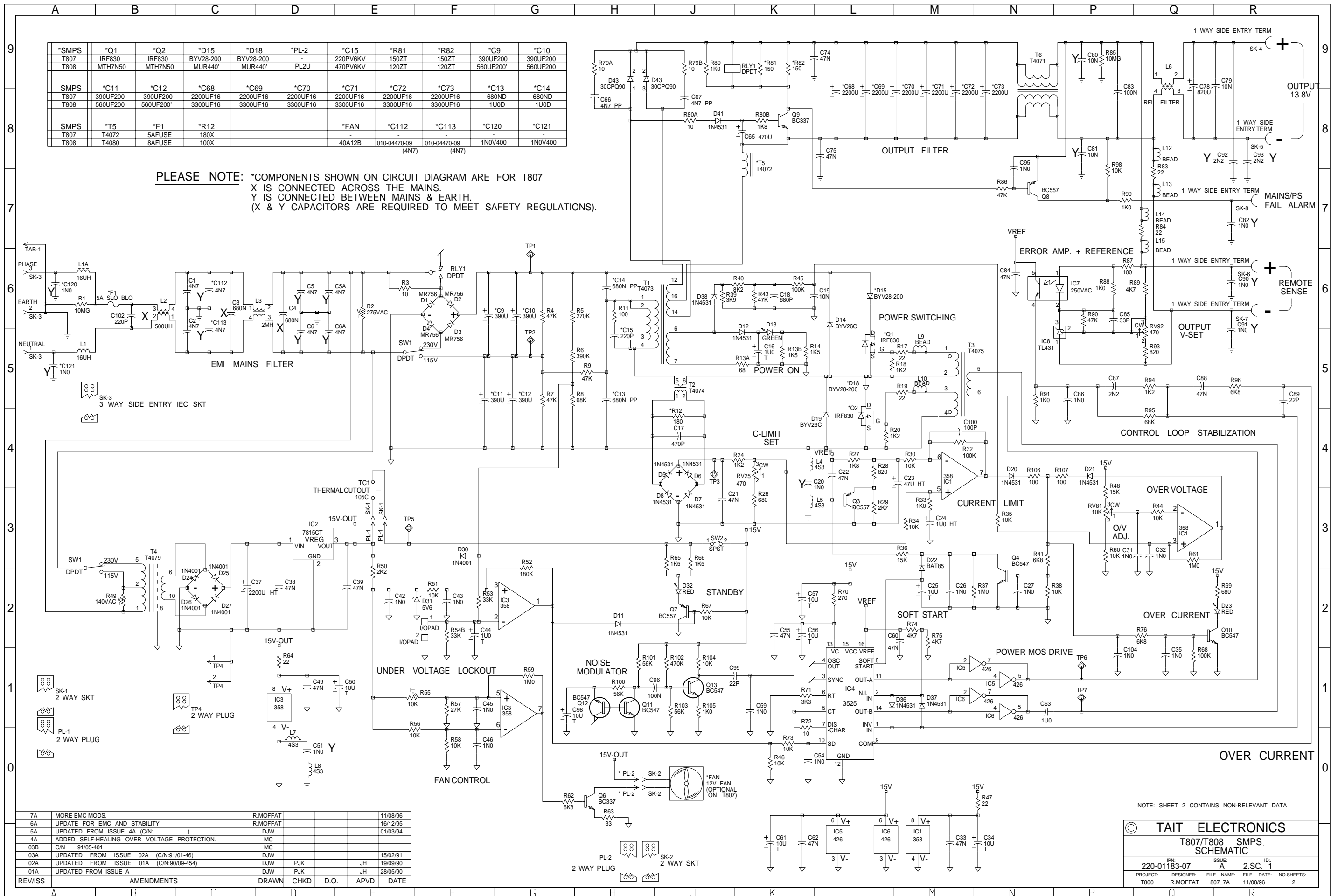
3

2

1

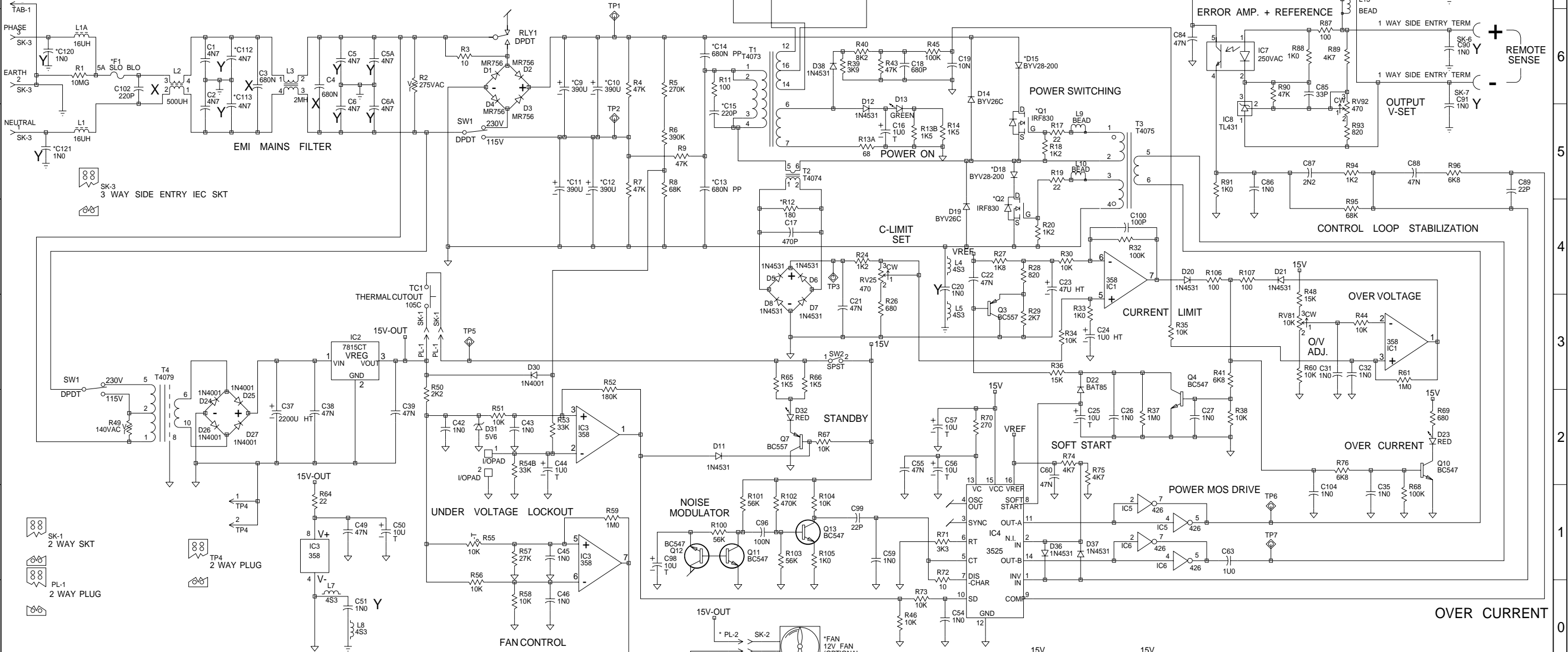


T807/808 PCB Layout
Top Side
220-01183-07



*SMPS	*Q1	*Q2	*D15	*D18	*PL-2	*C15	*R81	*R82	*C9	*C10	
T807	IRF830	IRF830	BYV28-200	BYV28-200	-	220PV6KV	150ZT	150ZT	390UF200	390UF200	
T808	MTH7N50	MTH7N50	MUR440	MUR440	PL2U	470PV6KV	120ZT	120ZT	560UF200	560UF200	
SMPS	*C11	*C12	*C68	*C69	*C70	*C71	*C72	*C73	*C13	*C14	
T807	390UF200	390UF200	2200UF16	2200UF16	2200UF16	2200UF16	2200UF16	2200UF16	680ND	680ND	
T808	560UF200	560UF200	3300UF16	3300UF16	3300UF16	3300UF16	3300UF16	3300UF16	1U0D	1U0D	
SMPS	*T5	*F1	*R12				*FAN	*C112	*C113	*C120	*C121
T807	T4072	5AFUSE	180X				40A12B	010-04470-09	010-04470-09	1N0V400	1N0V400
T808	T4080	8AFUSE	100X					(4N7)	(4N7)		

PLEASE NOTE: *COMPONENTS SHOWN ON CIRCUIT DIAGRAM ARE FOR T807
 X IS CONNECTED ACROSS THE MAINS.
 Y IS CONNECTED BETWEEN MAINS & EARTH.
 (X & Y CAPACITORS ARE REQUIRED TO MEET SAFETY REGULATIONS).



7A	MORE EMC MODS.	R.MOFFAT				11/08/96
6A	UPDATE FOR EMC AND STABILITY	R.MOFFAT				16/12/95
5A	UPDATED FROM ISSUE 4A (C/N:)	DJW				01/03/94
4A	ADDED SELF-HEALING OVER VOLTAGE PROTECTION.	MC				
03B	C/N 91/05-401	MC				
03A	UPDATED FROM ISSUE 02A (C/N:91/01-46)	DJW				15/02/91
02A	UPDATED FROM ISSUE 01A (C/N:90/09-454)	DJW	PJK			19/09/90
01A	UPDATED FROM ISSUE A	DJW	PJK			28/05/90
REV/ISS	AMENDMENTS	DRAWN	CHKD	D.O.	APVD	DATE

NOTE: SHEET 2 CONTAINS NON-RELEVANT DATA

© TAIT ELECTRONICS			
T807/T808 SMPS SCHEMATIC			
IPN: 220-01183-07	ISSUE: A	FILE DATE: 11/08/96	ID: 2.SC.1
PROJECT: T800	DESIGNER: R.MOFFAT	NO. SHEETS: 2	

T807/808 Circuit Diagram
 220-01183-07

